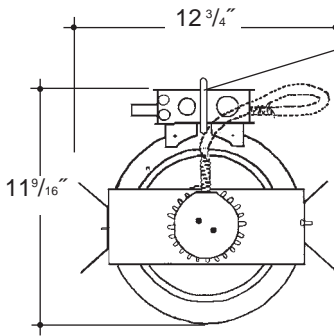


# Architectural Grade

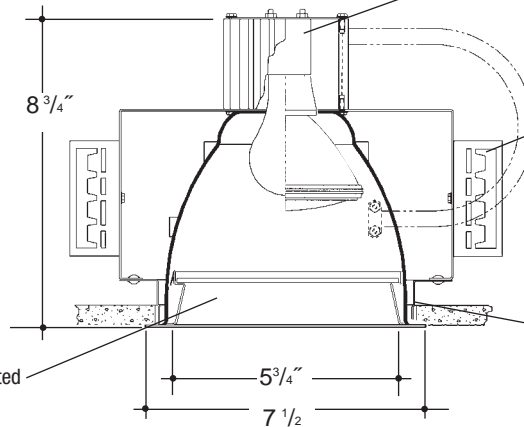
Job Name \_\_\_\_\_

Type \_\_\_\_\_



Heavy duty cast aluminum junction box, prewired and grounded with easy access from below. Listed for through branch circuit wiring. *UL Listed*. Thermal cut-out provided.

**7" LENSED  
NON-MAGNETIC/MRI**



Aluminum heat sink socket cup with stainless steel and brass hardware. Keyslots in reflector for fast assembly. *UL Listed* medium base porcelain socket, with nickel plated brass screw shell.

Adjustable height aluminum mounting brackets with cutouts for various mounting methods. Aluminum mounting bars (included) suitable for use in MRI. Brackets will accept aluminum C-Channel or other non-magnetic mounting bars. (supplied by others)

Heavy gauge spun aluminum reflector with self trimming flanged splay/lens holder and white painted flange. Polished Flange available. Safety chain provided. All components non-magnetic.

Aluminum plaster ring fastened to the spun aluminum frame and aluminum reflector mounting strap with aluminum rivets.

## Rough in Kit – 7" Incandescent Non-Magnetic Construction (150W A23, A21; 150W PAR38; 100W BR40; 100W PAR30; 50W PAR20)

Catalog Number **A7INCAL**

**A7INCAL**

Wattage

Voltage

150W MAX. A23, A21  
150W PAR38  
100W BR40  
100W PAR30  
50W PAR20

120

## Finishing Kit – 7" Incandescent Non-Magnetic Lensed Reflector – clear reflector standard with White Splay and self trim flange

Catalog Number **A70**

**A70**

Lens

Finish

Options

Finish (Factory Standard)

A7011 - Tempered Clear Lens  
A7014 - Tempered Prismatic Lens (C73 Pattern)  
A7015 - Opal Acrylic Dome (Shower Light)  
A7016 - Fresnel Lens  
A7018 - Flat Alba Lens  
A7019 - Drop Opal Lens

SCL  
SGO  
WHT

PF  
WL

**SCL** Specular Clear "Alzak" Splay with White Flange  
**SGO** Specular Gold "Alzak" Splay with White Flange  
**WHT** White Splay with White Flange

Options ▲

**PF** High Polished Flange  
**WL** Sealed Lens and Gasketed Flange

### Features

Manufactured and Listed to UL 1598, ETL and CSA standards.  
*Suitable for Damp Locations*  
*Wet location under covered ceiling*



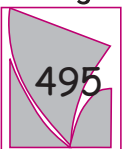
▲ See Options and Finishes pages for a list of additional finishes and equipment.

Vantage reserves the right to change components, finishes or design details in any manner which does not alter the installed appearance or reduce performance and intended function.

05/07

76 Community Avenue Plainfield, CT 06374  
voice (860)564.4512 fax (860)564.4854  
www.vantageltg.com

Vantage



Luminaires