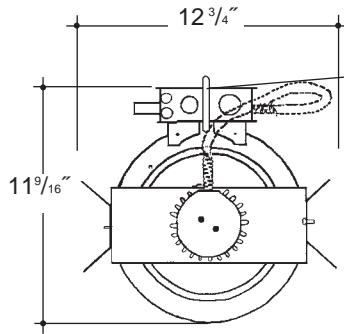


Architectural Grade

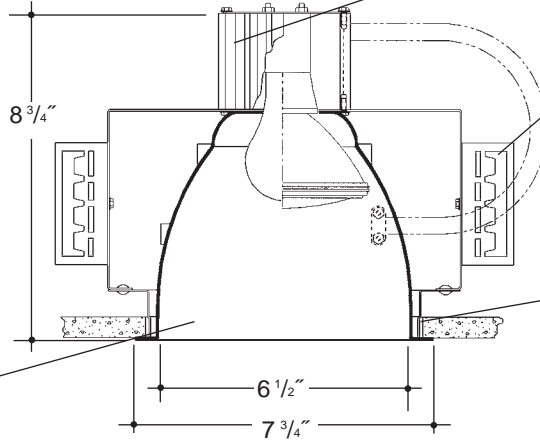
Job Name _____

Type _____



Heavy duty cast aluminum junction box, prewired and grounded with easy access from below. Listed for through branch circuit wiring. *UL Listed*. Thermal cut-out provided.

**7" OPEN
NON-MAGNETIC/MRI**



Aluminum heat sink socket cup with stainless steel and brass hardware. Keyslots in reflector for fast assembly. *UL Listed* medium base porcelain socket, with nickel plated brass screw shell.

Adjustable height aluminum mounting brackets with cutouts for various mounting methods. Aluminum mounting bars (included) suitable for use in MRI. Brackets will accept aluminum C-Channel or other non-magnetic mounting bars. (supplied by others)

Aluminum plaster ring fastened to the spun aluminum frame and aluminum reflector mounting strap with aluminum rivets.

Heavy gauge spun aluminum reflector with self trimming white painted flange. Polished Flange available.

Rough in Kit – 7" Incandescent Non-Magnetic Construction (200W A23; 150W A21, PAR38; 100W BR40; 100W PAR30; 50W PAR20)

Catalog Number **A7INCAL**

A7INCAL	Wattage	Voltage
	200W MAX. A23 150W A21, PAR38 100W BR40 100W PAR30 50W PAR20	120

Finishing Kit – 7" Incandescent Non-Magnetic Open Reflector

Catalog Number **A7000**

A7000	Finish	Options
	SCL SGO WHT	PF

Finish (Factory Standard)
SCL Specular Clear "Alzak" with White Flange
SGO Specular Gold "Alzak" with White Flange
WHT White Reflector with White Flange
 Options ▲
PF High Polished Flange

Features

Manufactured and Listed to UL 1598, ETL and CSA standards.
 Suitable for Damp Locations
 Wet location under covered ceiling



▲ See Options and Finishes pages for a list of additional finishes and equipment.

Vantage reserves the right to change components, finishes or design details in any manner which does not alter the installed appearance or reduce performance and intended function.

06/07

76 Community Avenue Plainfield, CT 06374
 voice (860)564.4512 fax (860)564.4854
 www.vantageltg.com

