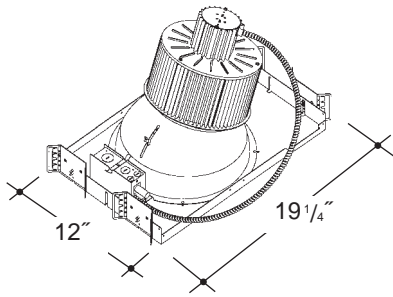


Job Name \_\_\_\_\_

Type \_\_\_\_\_

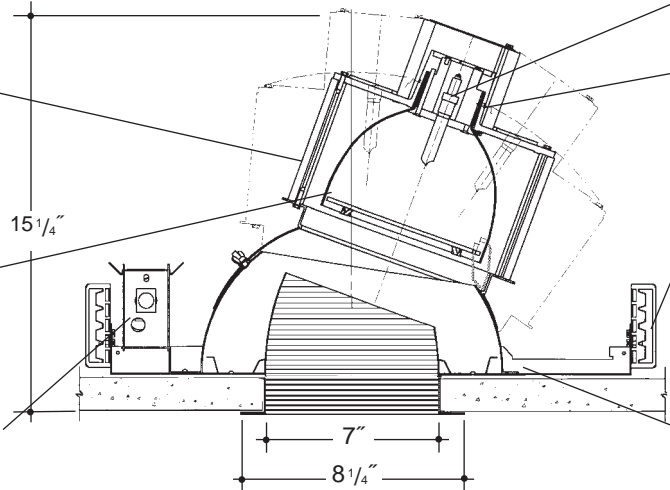


## 7" T4 QUARTZ HALOGEN ELLIPSOIDAL ADJUSTABLE BAFFLED

Extruded aluminum adjustable housing with heat fins for maximum heat dissipation. Capped with a cast aluminum heat cover/lamp holder. Top relamp is standard. Field adjustable rotate and lock to 35° max.

Heavy gauge spun aluminum upper reflector designed for maximum efficiency and accuracy with T4 lamps. Angle cut spun aluminum multi-groove lower reflector with white painted flange. Tempered glass shield below lamp for safety.

Heavy gauge electrogalvanized steel junction box, prewired and grounded. Thermal cutout provided.



Factory set lamp distribution, available in narrow, medium and wide.

*UL Listed* high temperature porcelain minican screw base socket designed for up to 500 watt maximum T4 Tungsten Halogen lamp. (Frosted)

Adjustable height electrogalvanized plated steel mounting ears with cutouts for various mounting methods. Standard bars (included) are innovative and incorporate rigid formed cross sections, joist positioning tabs, integral nails, auxiliary nailholes, T-Bar slots and holes for locking bars to T-Bar using #8 self-tapping screws (by others). Bars extend 14"-24". Ears will also accept Caddy Bar #520 for fast installation in T-Bar ceilings, bars extend 27".

Electrogalvanized plated steel frame with spring steel reflector clips for fast assembly of reflector.

### Rough in Kit – 7" T4 Quartz Halogen Adjustable Ellipsoidal Downlight 120 Volt

Catalog Number **A7T4QE-ADJ** \_\_\_\_\_

**A7T4QE-ADJ**

**Distribution**

**Wattage**

**Voltage**

**Options**

Options ▲

277V SD

(250W MAX) Step Down Transformer 277V to 120V

N  
(Narrow 20°)  
M  
(Medium 45°)  
W  
(Wide 70°)

500W MAX.  
250W  
150W  
100W

120

277V SD

Approved Lamps: Osram and Ushio.

### Finishing Kit – 7" T4 Quartz Halogen Angle Cut Multi-Groove Baffled Reflector

Catalog Number **T4735** \_\_\_\_\_

**T4735**

**Finish**

SCL/BL  
SCL/WH

Finish (Factory Standard)

**SCL/BL** Specular Clear "Alzak" with Black Baffle  
**SCL/WH** Specular Clear "Alzak" with White Baffle

#### Features

Manufactured and Listed to UL 1598, ETL and CSA standards.  
Suitable for Damp Locations  
Wet location under covered ceiling



▲ See Options and Finishes pages for a list of additional finishes and equipment.

Vantage reserves the right to change components, finishes or design details in any manner which does not alter the installed appearance or reduce performance and intended function.

06/07

**76 Community Avenue Plainfield, CT 06374**  
**voice (860)564.4512 fax (860)564.4854**  
**www.vantageltg.com**

