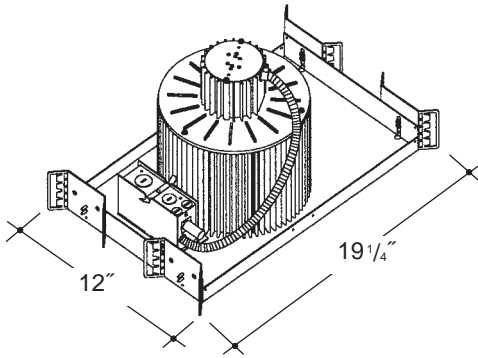


Job Name \_\_\_\_\_

Type \_\_\_\_\_



## 6" T4 QUARTZ HALOGEN ELLIPSOIDAL BAFFLED

Extruded aluminum housing with heat fins for maximum heat dissipation. Capped with a cast aluminum heat cover/lamp holder. Top relamp is standard.

Heavy gauge spun aluminum upper reflector designed for maximum efficiency and accuracy with T4 lamps. Spun aluminum multi-groove baffled lower reflector with white painted flange and tempered glass lamp shield.

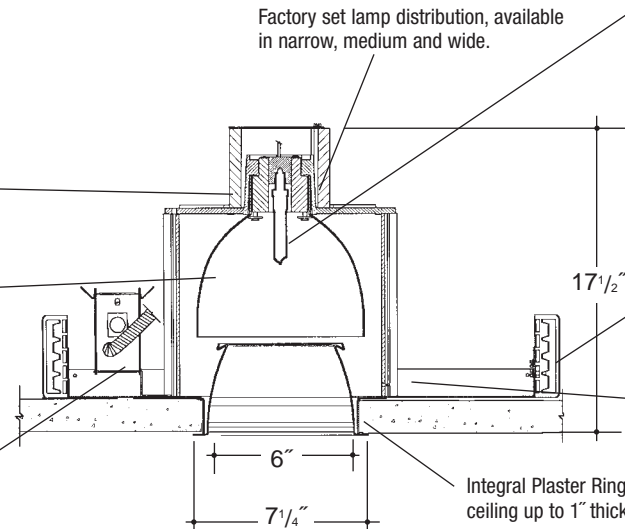
Heavy gauge electrogalvanized steel junction box, prewired and grounded. Thermal cutout provided.

Factory set lamp distribution, available in narrow, medium and wide.

*UL Listed* high temperature porcelain minican screw base socket designed for up to 500 watt maximum T4 Tungsten Halogen lamp. (Frosted)

Adjustable height electrogalvanized plated steel mounting ears with cutouts for various mounting methods. Standard bars (included) are innovative and incorporate rigid formed cross sections, joist positioning tabs, integral nails, auxiliary nailholes, T-Bar slots and holes for locking bars to T-Bar using #8 self-tapping screws (by others). Bars extend 14"-24". Ears will also accept Caddy Bar #520 for fast installation in T-Bar ceilings, bars extend 27".

Electrogalvanized plated steel frame with spring steel reflector clips for fast assembly of reflector.



Integral Plaster Ring allows use of any ceiling up to 1" thick.

### Rough in Kit – 6" T4 Quartz Halogen Ellipsoidal Downlight 120 Volt

Catalog Number **A6T4QE** \_\_\_\_\_

A6T4QE	Distribution	Wattage	Voltage	Options	Options ▲
	N (Narrow 20°)	500W MAX. 250W	120	277V SD ***	(250W MAX) Step Down Transformer 277V to 120V
	M (Medium 45°)	150W 100W			
	W (Wide 70°)				

Approved Lamps: Osram and Ushio.  
**Top Access Recommended for Slope Ceiling**  
 \*\*\*For slope ceiling 30° MAX\*\*\*

### Finishing Kit – 6" T4 Quartz Halogen Multi-Groove Baffled Reflector with clear tempered lens

Catalog Number **T4650** \_\_\_\_\_

T4650	Finish
	SCL/BL SCL/WH

Finish (Factory Standard)  
**SCL/BL** Specular Clear "Alzak" with Black Baffle  
**SCL/WH** Specular Clear "Alzak" with White Baffle

#### Features

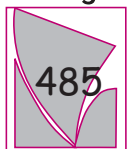
Manufactured and Listed to UL 1598, ETL and CSA standards.  
 Suitable for Damp Locations  
 Wet location under covered ceiling



▲ See Options and Finishes pages for a list of additional finishes and equipment.

Vantage reserves the right to change components, finishes or design details in any manner which does not alter the installed appearance or reduce performance and intended function.

**Vantage**



**Luminaires**

76 Community Avenue Plainfield, CT 06374  
 voice (860)564.4512 fax (860)564.4854  
 www.vantageltg.com

05/07