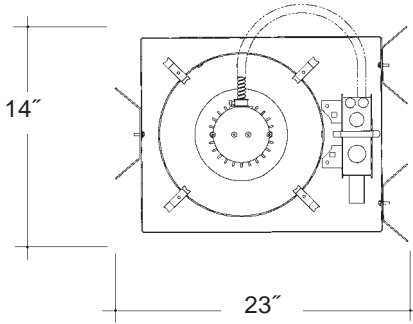


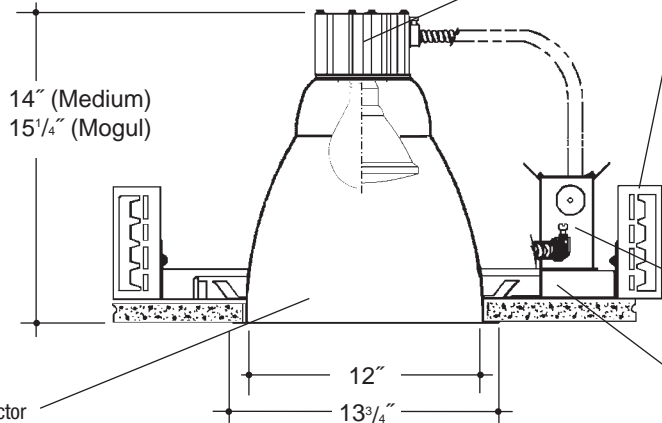
Architectural Grade

Job Name _____

Type _____



12" OPEN INCANDESCENT



Extruded aluminum heat sink socket cup with Zinc plated steel hardware and spring steel clips for fast assembly. *UL Listed* medium base porcelain socket, with nickel plated brass screw shell.

Adjustable height electrogalvanized plated steel mounting ears with cutouts for various mounting methods. Standard bars (included) are innovative and incorporate rigid formed cross sections, joint positioning tabs, integral nails, auxiliary nailholes, T-Bar slots and holes for locking bars to T-Bar using #8 self-tapping screws (by others). Bars extend 14"-24". Ears will also accept Caddy Bar #520 for fast installation in T-Bar ceilings, bars extend 27".

Heavy gauge electrogalvanized steel junction box, prewired and grounded. Listed for through branch circuit wiring. Thermal cutout provided.

Electrogalvanized plated steel frame with spring steel reflector clips for fast assembly of reflector.

Heavy gauge spun aluminum reflector with self trimming white painted flange. Polished Flange available.

Rough in Kit – 12" Incandescent (300W BR40; 250W PAR38; 200W A23; 150W A21)

Catalog Number **A12INC** _____

A12INC

Wattage

Voltage

Options

300W MAX. BR40
250W PAR38
200W A23
150W A21

120

277V SD
R
PR

Options ▲

277V SD
R
PR

Step Down Transformer 277V to 120V Remodeler Plaster Ring

Mogul Base Lamp – Replace **A12INC** with **A12INCM** – MAX. 300W PS35 **Consult Factory**

Finishing Kit – 12" Incandescent Open Reflector

Catalog Number **12000** _____

12000

Finish

Options

SCL
SGO
WHT

PF

Finish (Factory Standard)

SCL
SGO
WHT

Specular Clear "Alzak" Reflector with White Flange
Specular Gold "Alzak" Reflector with White Flange
White Reflector with White Flange

Options ▲

PF

High Polished Flange

Features

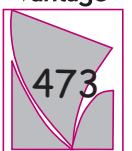
Manufactured and Listed to UL 1598, ETL and CSA standards.
Suitable for Damp Locations
Wet location under covered ceiling



▲ See Options and Finishes pages for a list of additional finishes and equipment.

Vantage reserves the right to change components, finishes or design details in any manner which does not alter the installed appearance or reduce performance and intended function.

Vantage



Luminaires

76 Community Avenue Plainfield, CT 06374
voice (860)564.4512 fax (860)564.4854
www.vantageltg.com

05/07