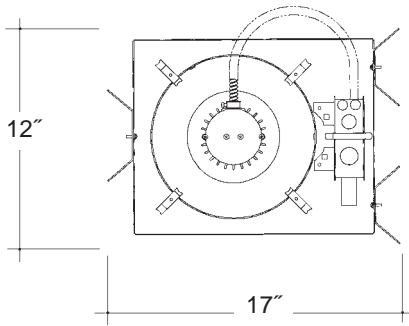
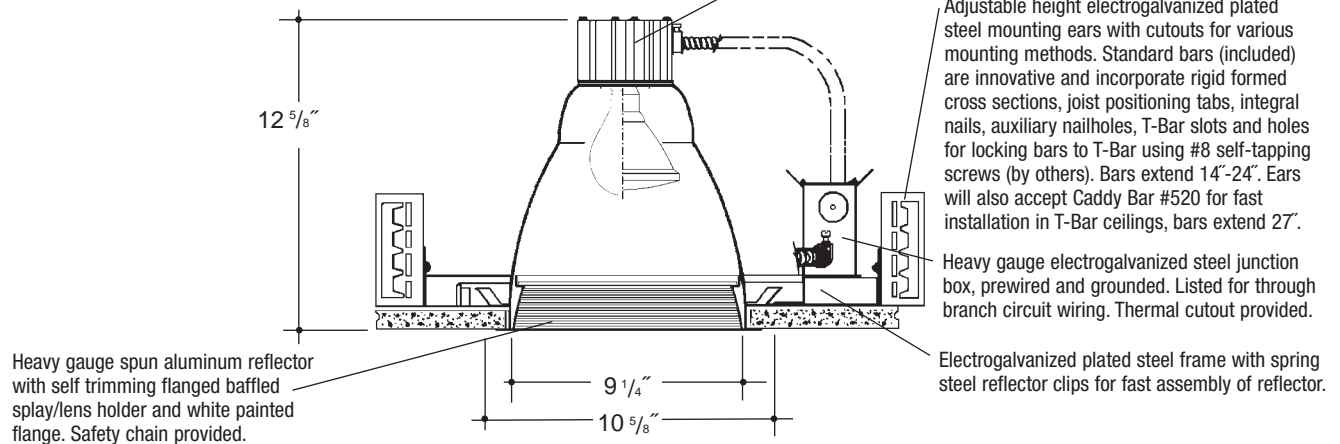


Job Name \_\_\_\_\_

Type \_\_\_\_\_



## 10" LENSED BAFFLED INCANDESCENT



### Rough in Kit – 10" Incandescent (250W PAR38; 200W A23; 150W A21)

Catalog Number **A10INC**

**A10INC**

Wattage

Voltage

Options

250W MAX. PAR38  
200W A23  
150W A21

120

277V SD  
R  
PR

Options ▲

277V SD  
R  
PR

Step Down Transformer 277V to 120V  
Remodeler  
Plaster Ring

### Finishing Kit – 10" Incandescent Lensed Reflector – clear reflector standard with Black or White Baffled Splay

Catalog Number **100**

**100**

Lens

Finish

Options

10021 - Tempered Clear Lens  
10024 - Tempered Prismatic Lens (C73 Pattern)  
10026 - Fresnel Lens  
10028 - Drop Opal Lens

SCL/BL  
SCL/WH  
WHT/WH  
WHT/BL

WL

Finish (Factory Standard)

**SCL/BL** Specular Clear "Alzak" with Black Baffled Splay  
**SCL/WH** Specular Clear "Alzak" with White Baffled Splay  
**WHT/WH** White Reflector with White Baffled Splay  
**WHT/BL** White Reflector with Black Baffled Splay

Options ▲

WL

Sealed Lens and Gasketed Flange

### Features

Manufactured and Listed to UL 1598, ETL and CSA standards.  
Suitable for Damp Locations  
Wet location under covered ceiling



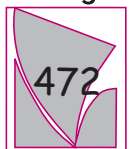
▲ See Options and Finishes pages for a list of additional finishes and equipment.

Vantage reserves the right to change components, finishes or design details in any manner which does not alter the installed appearance or reduce performance and intended function.

06/07

76 Community Avenue Plainfield, CT 06374  
voice (860)564.4512 fax (860)564.4854  
www.vantageltg.com

Vantage



Luminaires