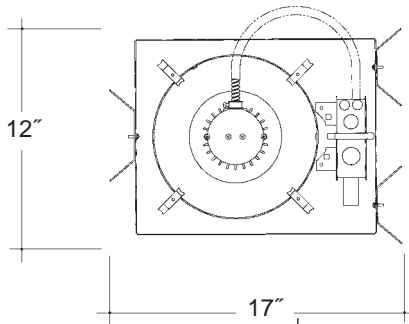


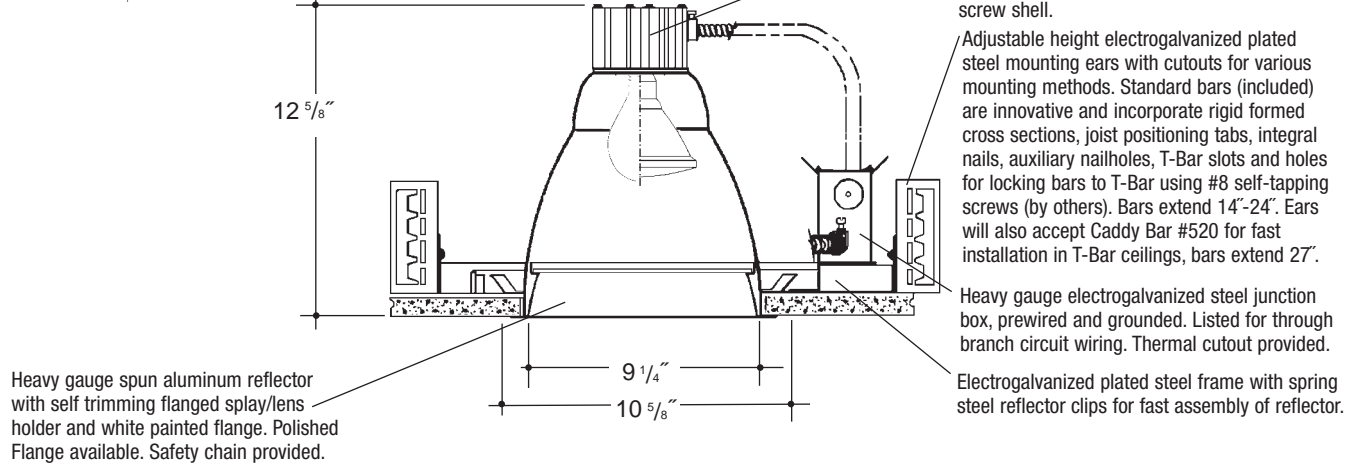
Architectural Grade

Job Name _____

Type _____



10" LENSED INCANDESCENT



Heavy gauge spun aluminum reflector with self trimming flanged splay/lens holder and white painted flange. Polished Flange available. Safety chain provided.

Aluminum heat sink socket cup with Zinc plated steel hardware and spring steel clips for fast assembly. *UL Listed* medium base porcelain socket, with nickel plated brass screw shell.

Adjustable height electrogalvanized plated steel mounting ears with cutouts for various mounting methods. Standard bars (included) are innovative and incorporate rigid formed cross sections, joist positioning tabs, integral nails, auxiliary nailholes, T-Bar slots and holes for locking bars to T-Bar using #8 self-tapping screws (by others). Bars extend 14"-24". Ears will also accept Caddy Bar #520 for fast installation in T-Bar ceilings, bars extend 27".

Heavy gauge electrogalvanized steel junction box, prewired and grounded. Listed for through branch circuit wiring. Thermal cutout provided.

Electrogalvanized plated steel frame with spring steel reflector clips for fast assembly of reflector.

Rough in Kit – 10" Incandescent (250W PAR38; 200W A23; 150W A21)

Catalog Number **A10INC** _____

A10INC	Wattage	Voltage	Options
	250W MAX. PAR38	120	277V SD
	200W A23		R
	150W A21		PR

Options ▲
277V SD Step Down Transformer 277V to 120V
R Remodeler
PR Plaster Ring

Finishing Kit – 10" Incandescent Lensed Reflector – clear reflector standard with White Splay and self trim flange

Catalog Number **100** _____

100	Lens	Finish	Options
	10011 - Tempered Clear Lens	SCL	PF
	10014 - Tempered Prismatic Lens (C73 Pattern)	SGO	WL
	10016 - Fresnel Lens	WHT	
	10018 - Drop Opal Lens		

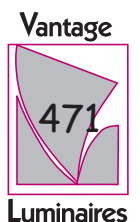
Finish (Factory Standard)
SCL Specular Clear "Alzak" Splay with White Flange
SGO Specular Gold "Alzak" Splay with White Flange
WHT White Splay with White Flange

Options ▲
PF High Polished Flange
WL Sealed Lens and Gasketed Flange

Features
 Manufactured and Listed to UL 1598, ETL and CSA standards.
 Suitable for Damp Locations
 Wet location under covered ceiling



▲ See Options and Finishes pages for a list of additional finishes and equipment.
 Vantage reserves the right to change components, finishes or design details in any manner which does not alter the installed appearance or reduce performance and intended function.



76 Community Avenue Plainfield, CT 06374
 voice (860)564.4512 fax (860)564.4854
 www.vantageltg.com

06/07