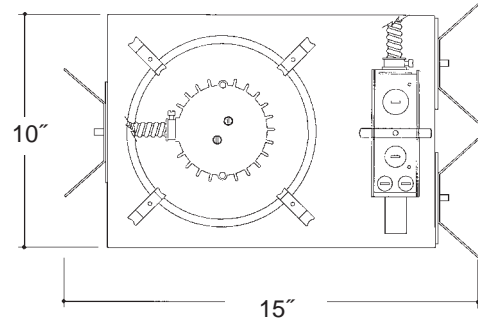


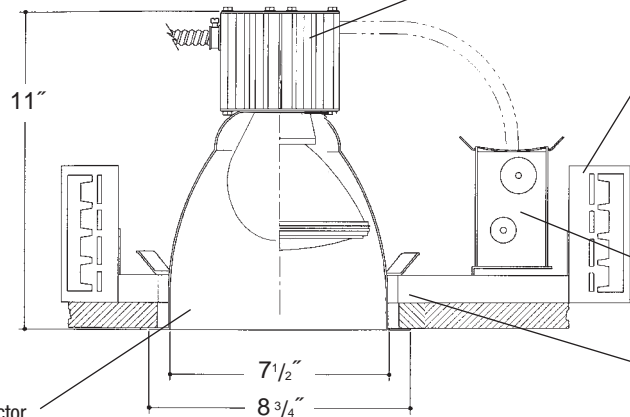
Architectural Grade

Job Name _____

Type _____



**8" OPEN
INCANDESCENT**



Extruded aluminum heat sink socket cup with Zinc plated steel hardware and spring steel clips for fast assembly. *UL Listed* medium base porcelain socket, with nickel plated brass screw shell.

Adjustable height electrogalvanized plated steel mounting ears with cutouts for various mounting methods. Standard bars (included) are innovative and incorporate rigid formed cross sections, joist positioning tabs, integral nails, auxiliary nailholes, T-Bar slots and holes for locking bars to T-Bar using #8 self-tapping screws (by others). Bars extend 14"-24". Ears will also accept Caddy Bar #520 for fast installation in T-Bar ceilings, bars extend 27".

Heavy gauge electrogalvanized steel junction box, prewired and grounded. Listed for through branch circuit wiring. Thermal cutout provided.

Electrogalvanized plated steel frame with spring steel reflector clips for fast assembly of reflector.

Heavy gauge spun aluminum reflector with self trimming white painted flange. Polished Flange available.

Rough in Kit – 8" Incandescent (250W PAR38; 200W A23; 100W PAR38; 150W A21; 100W PAR30)

Catalog Number **A8INC**

A8INC

Wattage

Voltage

Options

250W MAX. PAR38
200W A23
100W PAR38
150W A21
100W PAR30

120

277V SD
R
PR

Options ▲

277V SD
R
PR

Step Down Transformer 277V to 120V
Remodeler
Plaster Ring

Finishing Kit – 8" Incandescent Open Reflector

Catalog Number **8000**

8000

Finish

Options

SCL
SGO
WHT

PF

Finish (Factory Standard)

SCL
SGO
WHT

Specular Clear "Alzak" Reflector with White Flange
Specular Gold "Alzak" Reflector with White Flange
White Reflector with White Flange

Options ▲

PF

High Polished Flange

Features

Manufactured and Listed to UL 1598, ETL and CSA standards.
Suitable for Damp Locations
Wet location under covered ceiling



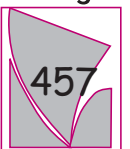
▲ See Options and Finishes pages for a list of additional finishes and equipment.

Vantage reserves the right to change components, finishes or design details in any manner which does not alter the installed appearance or reduce performance and intended function.

05/07

76 Community Avenue Plainfield, CT 06374
voice (860)564.4512 fax (860)564.4854
www.vantageltg.com

Vantage



Luminaires

Photometric Information

Product Number: A8INC150PAR38/8000SCL
Frame In Kit: 8" Vertical Mount Incandescent
Reflector: 8" Vertical Mount Clear "Alzak" Reflector
LTL Test Number: 06868
Lamp(s) Source: (1) 150W PAR38/CAP/FL Halogen rated at 2200 lumens
Total Luminaire Efficiency: 93.6%
CIE Type: Direct
Luminaire Spacing Criterion: 0.5
Luminous Diameter: 7.500

Zonal Lumen Summary

ZONE	LUMENS	%LAMP	%FIXTURE
0- 30	1921	87.3	93.3
0- 40	2050	93.2	99.6
0- 60	2059	93.6	100.0
0- 90	2059	93.6	100.0
90-180	0	0.0	0.0
0-180	2059	93.6	100.0

Cone of Light

Ft. Below	Fc Nadir	Dia @50%
6.0	158.9	3.4
8.0	89.4	4.6
10.0	57.2	5.7
12.0	39.7	6.8
14.0	29.2	8.0
16.0	22.4	9.1

Coefficients of Utilization

RC	80				70				50				30				10				0
RW	70	50	30	10	70	50	30	10	50	30	10	50	30	10	50	30	10	50	30	10	0
0	111111111111	109109109109	104104104	100100100	96	96	96	94													
1	108106105103	106104103102	101	99	98	97	96	96	94	93	93	91									
2	105102100	103101	98	96	98	96	94	95	94	92	93	91	90	89							
3	102	99	96	93	101	97	95	93	95	93	91	93	91	90	91	90	89	87			
4	100	95	92	90	98	94	92	89	93	90	88	91	89	87	89	88	86	85			
5	97	92	89	86	96	92	88	86	90	87	85	89	86	85	87	86	84	83			
6	95	90	86	84	94	89	86	84	88	85	83	87	85	83	86	84	82	81			
7	92	87	84	81	92	87	83	81	86	83	81	85	82	80	84	82	80	79			
8	90	85	81	79	89	84	81	79	83	81	78	83	80	78	82	80	78	77			
9	88	82	79	77	87	82	79	77	81	78	76	81	78	76	80	78	76	75			
10	86	80	77	75	85	80	77	75	79	76	74	79	76	74	78	76	74	73			

