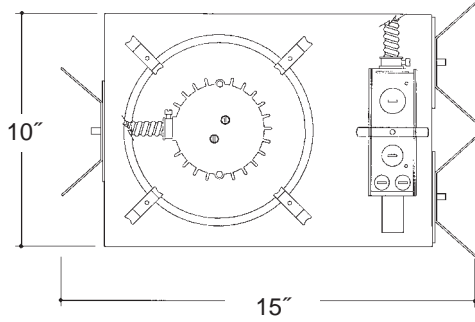


Job Name \_\_\_\_\_

Type \_\_\_\_\_



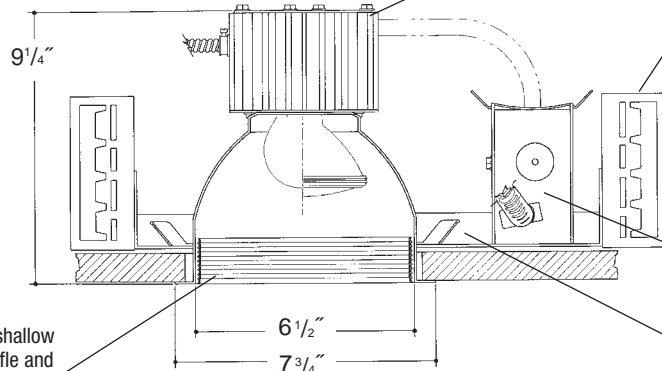
## 7" SHALLOW BAFFLED PAR38-30

Extruded aluminum heat sink socket cup with Zinc plated steel hardware and spring steel clips for fast assembly. *UL Listed* medium base porcelain socket, with nickel plated brass screw shell.

Adjustable height electrogalvanized plated steel mounting ears with cutouts for various mounting methods. Standard bars (included) are innovative and incorporate rigid formed cross sections, joist positioning tabs, integral nails, auxiliary nailholes, T-Bar slots and holes for locking bars to T-Bar using #8 self-tapping screws (by others). Bars extend 14"-24". Ears will also accept Caddy Bar #520 for fast installation in T-Bar ceilings, bars extend 27".

Heavy gauge electrogalvanized steel junction box, prewired and grounded. Listed for through branch circuit wiring. Thermal cutout provided.

Electrogalvanized plated steel frame with spring steel reflector clips for fast assembly of reflector.



Heavy gauge spun aluminum shallow reflector with multi-groove baffle and self trimming white painted flange. Polished Flange available.

### Rough in Kit – 7" Incandescent (150W PAR38; 150W A21; 120W BR40; 100W PAR30)

Catalog Number **A7INC**

**A7INC**

Wattage

Voltage

Options

150W MAX. PAR38  
150W A21  
120W BR40  
100W PAR30

120

277V SD  
R  
PR

Options ▲

277V SD  
R  
PR

Step Down Transformer 277V to 120V  
Remodeler  
Plaster Ring

### Finishing Kit – 7" Incandescent Shallow Open Baffled Reflector

Catalog Number **7350**

**7350**

Finish

Options

SCL/BL  
SGO/BL  
SCL/WH  
SGO/WH  
WHT/WH  
WHT/BL

PF

Finish (Factory Standard)

**SCL/BL** Specular Clear "Alzak" with White Flange and Black Baffle  
**SGO/BL** Specular Gold "Alzak" with White Flange and Black Baffle  
**SCL/WH** Specular Clear "Alzak" with White Flange and White Baffle  
**SGO/WH** Specular Gold "Alzak" with White Flange and White Baffle  
**WHT/WH** White Reflector with White Flange and White Baffle  
**WHT/BL** White Reflector with White Flange and Black Baffle

Options ▲

PF

High Polished Flange

### Features

Manufactured and Listed to UL 1598, ETL and CSA standards.  
Suitable for Damp Locations  
Wet location under covered ceiling



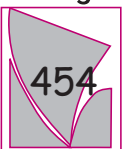
▲ See Options and Finishes pages for a list of additional finishes and equipment.

Vantage reserves the right to change components, finishes or design details in any manner which does not alter the installed appearance or reduce performance and intended function.

06/07

76 Community Avenue Plainfield, CT 06374  
voice (860)564.4512 fax (860)564.4854  
www.vantageltg.com

Vantage



Luminaires