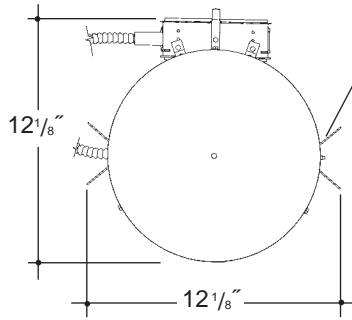


# Architectural Grade

Job Name \_\_\_\_\_

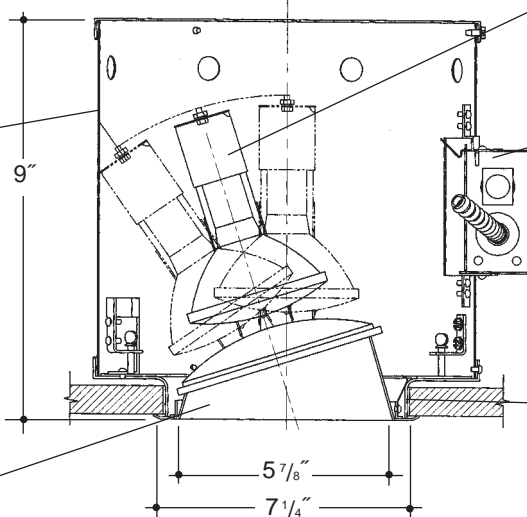
Type \_\_\_\_\_



Adjustable height electrogalvanized plated steel mounting ears with cutouts for various mounting methods. Standard bars (included) are innovative and incorporate rigid formed cross sections, joist positioning tabs, integral nails, auxiliary nailholes, T-Bar slots and holes for locking bars to T-Bar using #8 self-tapping screws (by others). Bars extend 14"-24". Ears will also accept Caddy Bar #520 for fast installation in T-Bar ceilings, bars extend 27".

## 6" SPREAD LENS WALL WASH INCANDESCENT

Steel housing wrap with interlocking seams for strength. Housing is top relampable. Housing cap is aluminum to allow heat transfer for maximum lamp life.



Specification grade glazed porcelain socket with nickel plated brass screw shell. *UL Listed.* Adjustable yolk for 358° rotation and 35° elevation.

Heavy gauge electrogalvanized steel junction box, prewired and grounded with easy access from below. Listed for through branch circuit wiring. *UL Listed.* Thermal cutout provided.

Heavy gauge spun aluminum angle cut "Alzak" cone with 55° tempered glass spread lens. Internal heat treated spring steel clips hold reflector tight to ceiling. White painted flange. Polished Flange available.

Integral plaster ring.

### Rough in Kit – 6" Incandescent Adjustable Wall Washer (100W PAR30; 75W PAR30; 50W PAR20; 50W R20; 75W PAR16)

Catalog Number **PA6INC-ADJ-WW**

**PA6INC-ADJ-WW**

**Wattage**

**Voltage**

**Options**

Options

**277V SD**  
**F**

Step Down Transformer 277V to 120V Fused

100W MAX. PAR30  
75W PAR30  
50W PAR20  
50W R20  
75W PAR16

120

277V SD  
F

### Finishing Kit – 6" Incandescent Angle Cut "Alzak" Cone 55° Spread Lens Wall Washer

Catalog Number **6037**

**6037**

**Wattage**

**Options**

Finish

**SCL**

Specular Clear "Alzak" with White Flange

**SGO**

Specular Gold "Alzak" with White Flange

**WHT**

White Reflector with White Flange

SCL

SGO

WHT

PF

Options

**PF**

High Polished Flange

#### Features

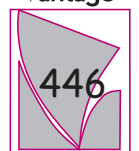
Manufactured and Listed to UL 1598, ETL and CSA standards.  
Suitable for Damp Locations  
Wet location under covered ceiling



▲ See Options and Finishes pages for a list of additional finishes and equipment.

Vantage reserves the right to change components, finishes or design details in any manner which does not alter the installed appearance or reduce performance and intended function.

Vantage



05/07

76 Community Avenue Plainfield, CT 06374  
voice (860)564.4512 fax (860)564.4854  
www.vantageltg.com

Luminaires