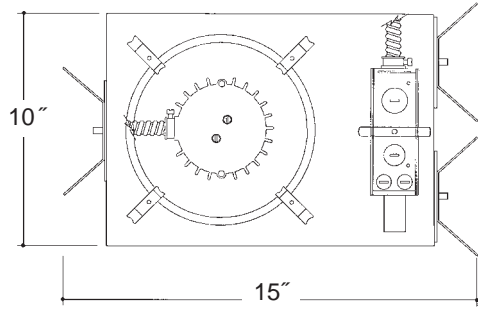


Architectural Grade

Job Name _____

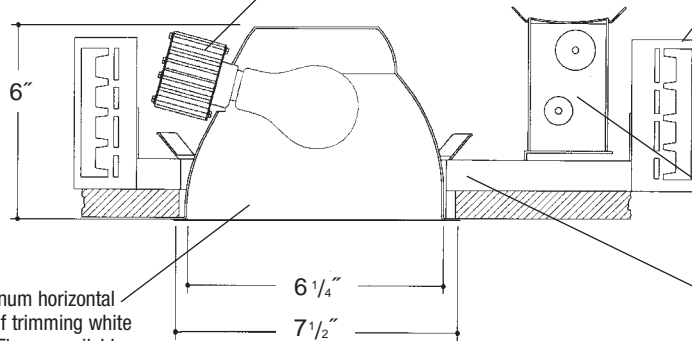
Type _____



6" HORIZONTAL SHALLOW OPEN INCANDESCENT

Extruded aluminum heat sink socket cup with Zinc plated steel hardware and spring steel clips for fast assembly. *UL Listed* medium base porcelain socket, with nickel plated brass screw shell.

Adjustable height electrogalvanized plated steel mounting ears with cutouts for various mounting methods. Standard bars (included) are innovative and incorporate rigid formed cross sections, joist positioning tabs, integral nails, auxiliary nailholes, T-Bar slots and holes for locking bars to T-Bar using #8 self-tapping screws (by others). Bars extend 14"-24". Ears will also accept Caddy Bar #520 for fast installation in T-Bar ceilings, bars extend 27".



Heavy gauge spun aluminum horizontal shallow reflector with self trimming white painted flange. Polished Flange available.

Heavy gauge electrogalvanized steel junction box, prewired and grounded. Listed for through branch circuit wiring. Thermal cutout provided.

Electrogalvanized plated steel frame with spring steel reflector clips for fast assembly of reflector.

Rough in Kit – 6" Horizontal Incandescent (150W A23, A21; 100W A21, A19; 75W A19)

Catalog Number **A6INC-HOR**

A6INC-HOR

Wattage

Voltage

Options

Options ▲

150W MAX. A23, A21
100W A21, A19
75W A19

120

277V SD
R
PR

277V SD Step Down Transformer 277V to 120V
R Remodeler
PR Plaster Ring

Finishing Kit – 6" Horizontal Incandescent Shallow Open Reflector

Catalog Number **6602**

6602

Finish

Options

SCL
SGO
WHT

PF

Finish (Factory Standard)

SCL Specular Clear "Alzak" Reflector with White Flange
SGO Specular Gold "Alzak" Reflector with White Flange
WHT White Reflector with White Flange

Options ▲

PF High Polished Flange

Features

Manufactured and Listed to UL 1598, ETL and CSA standards.
Suitable for Damp Locations
Wet location under covered ceiling



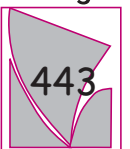
▲ See Options and Finishes pages for a list of additional finishes and equipment.

Vantage reserves the right to change components, finishes or design details in any manner which does not alter the installed appearance or reduce performance and intended function.

05/07

76 Community Avenue Plainfield, CT 06374
voice (860)564.4512 fax (860)564.4854
www.vantageltg.com

Vantage



Luminaires