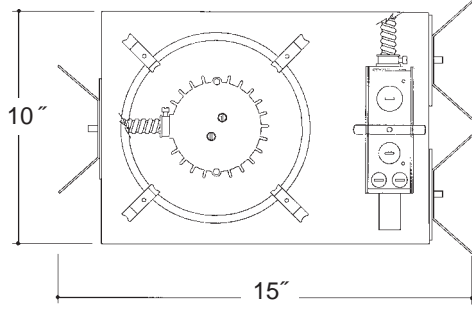


Architectural Grade

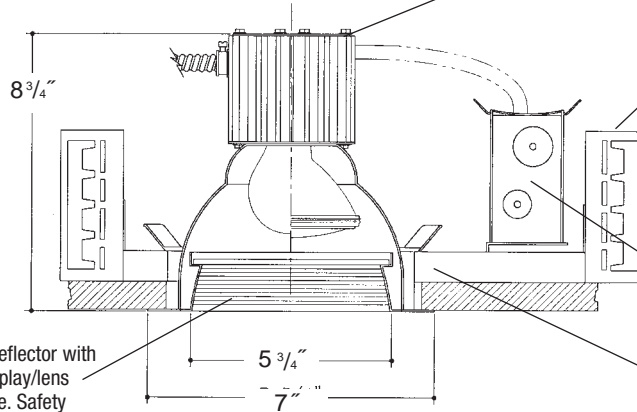
Job Name _____

Type _____



6" LENSED BAFFLED INCANDESCENT

Extruded aluminum heat sink socket cup with Zinc plated steel hardware and spring steel clips for fast assembly. *UL Listed* medium base porcelain socket, with nickel plated brass screw shell.



Adjustable height electrogalvanized plated steel mounting ears with cutouts for various mounting methods. Standard bars (included) are innovative and incorporate rigid formed cross sections, joist positioning tabs, integral nails, auxiliary nailholes, T-Bar slots and holes for locking bars to T-Bar using #8 self-tapping screws (by others). Bars extend 14"-24". Ears will also accept Caddy Bar #520 for fast installation in T-Bar ceilings, bars extend 27".

Heavy gauge spun aluminum reflector with self trimming flanged baffled splay/lens holder and white painted flange. Safety chain provided.

Heavy gauge electrogalvanized steel junction box, prewired and grounded. Listed for through branch circuit wiring. Thermal cutout provided.

Electrogalvanized plated steel frame with spring steel reflector clips for fast assembly of reflector.

Rough in Kit – 6" Incandescent (100W A19; 75W PAR30; 50W PAR20; 75W PAR16)

Catalog Number **AGINC** _____

AGINC	Wattage	Voltage	Options
	100W MAX. A19 75W PAR30 50W PAR20 75W PAR16	120	277V SD R PR

Options ▲

- 277V SD** Step Down Transformer 277V to 120V
- R** Remodeler
- PR** Plaster Ring

Finishing Kit – 6" Incandescent Lensed Baffled Reflector – clear reflector standard with Black or White Baffled Splay

Catalog Number **60** _____

60	Lens	Finish	Options
	6021 - Tempered Clear Lens 6024 - Tempered Prismatic Lens (C73 Pattern) 6026 - Fresnel Lens 6028 - Flat Alba Lens	SCL/BL SCL/WH WHT/WH WHT/BL	WL

Finish (Factory Standard)

- SCL/BL** Specular Clear "Alzak" with Black Baffled Splay
- SCL/WH** Specular Clear "Alzak" with White Baffled Splay
- WHT/WH** White Reflector with White Baffled Splay
- WHT/BL** White Reflector with Black Baffled Splay

Options ▲

- WL** Sealed Lens and Gasketed Flange

Features

Manufactured and Listed to UL 1598, ETL and CSA standards.
Suitable for Damp Locations
Wet location under covered ceiling



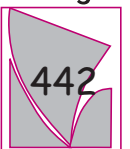
▲ See Options and Finishes pages for a list of additional finishes and equipment.

Vantage reserves the right to change components, finishes or design details in any manner which does not alter the installed appearance or reduce performance and intended function.

05/07

76 Community Avenue Plainfield, CT 06374
voice (860)564.4512 fax (860)564.4854
www.vantageitg.com

Vantage



Luminaires