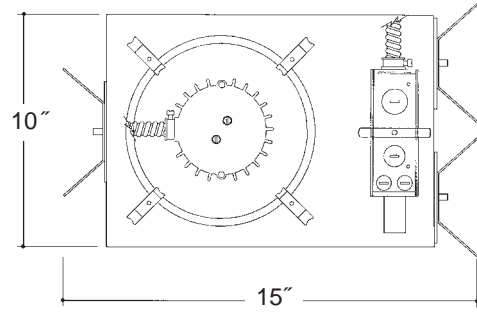


Architectural Grade

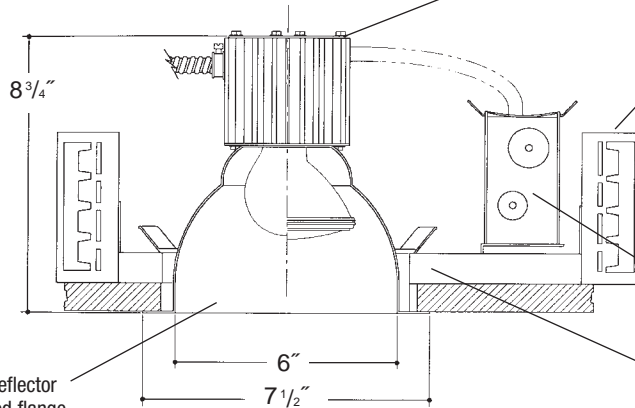
Job Name _____

Type _____



**6" OPEN
INCANDESCENT**

Extruded aluminum heat sink socket cup with Zinc plated steel hardware with spring steel clips for fast assembly. *UL Listed* medium base porcelain socket, with nickel plated brass screw shell.



Adjustable height electrogalvanized plated steel mounting ears with cutouts for various mounting methods. Standard bars (included) are innovative and incorporate rigid formed cross sections, joint positioning tabs, integral nails, auxiliary nailholes, T-Bar slots and holes for locking bars to T-Bar using #8 self-tapping screws (by others). Bars extend 14"-24". Ears will also accept Caddy Bar #520 for fast installation in T-Bar ceilings, bars extend 27".

Heavy gauge electrogalvanized steel junction box, prewired and grounded. Listed for through branch circuit wiring. Thermal cutout provided.

Heavy gauge spun aluminum reflector with self trimming white painted flange. Polished Flange available.

Electrogalvanized plated steel frame with spring steel reflector clips for fast assembly of reflector.

Rough in Kit – 6" Incandescent (150W A21; 100W PAR38; 100W PAR30; 50W PAR20; 75W PAR16)

Catalog Number **A6INC** _____

A6INC

Wattage

Voltage

Options

Options ▲

150W MAX. A21
100W PAR38
100W PAR30
50W PAR20
75W PAR16

120

277V SD
R
PR

277V SD
R
PR

Step Down Transformer 277V to 120V
Remodeler
Plaster Ring

Finishing Kit – 6" Incandescent Open Reflector

Catalog Number **6000** _____

6000

Finish

Options

Finish (Factory Standard)

SCL
SGO
WHT

Specular Clear "Alzak" Reflector with White Flange
Specular Gold "Alzak" Reflector with White Flange
White Reflector with White Flange

SCL
SGO
WHT

PF

Options ▲

PF

High Polished Flange

Features

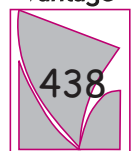
Manufactured and Listed to UL 1598, ETL and CSA standards.
Suitable for Damp Locations
Wet location under covered ceiling



▲ See Options and Finishes pages for a list of additional finishes and equipment.

Vantage reserves the right to change components, finishes or design details in any manner which does not alter the installed appearance or reduce performance and intended function.

Vantage



07/07

76 Community Avenue Plainfield, CT 06374
voice (860)564.4512 fax (860)564.4854
www.vantageltg.com

Luminaires

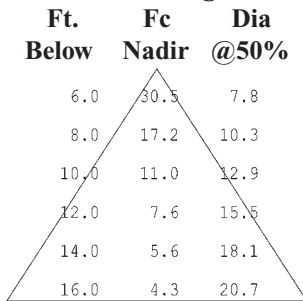
Photometric Information

Product Number: A6INC150A21/6000SCL
Frame In Kit: 6" Vertical Mount Incandescent
Reflector: 6" Vertical Mount Clear "Alzak" Reflector
LTL Test Number: 06009
Lamp(s) Source: (1) 150W A21 incandescent rated at 2880 lumens
Total Luminaire Efficiency: 67.4%
CIE Type: Direct
Luminaire Spacing Criterion: 1.2
Luminous Diameter: 6.000

Zonal Lumen Summary

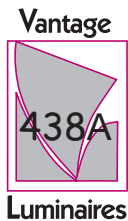
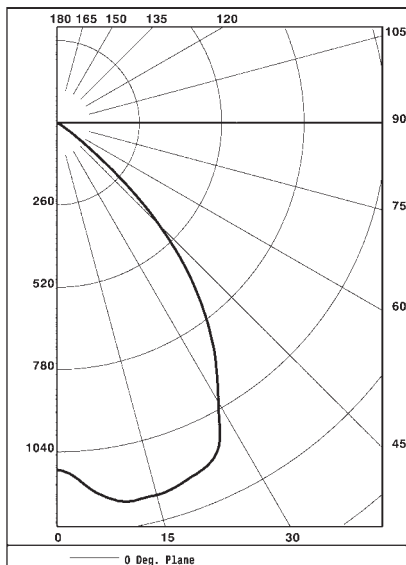
ZONE	LUMENS	%LAMP	%FIXTURE
0- 30	988	34.3	50.9
0- 40	1522	52.8	78.4
0- 60	1937	67.2	99.7
0- 90	1941	67.4	100.0
90-180	0	0.0	0.0
0-180	1941	67.4	100.0

Cone of Light



Coefficients of Utilization

RC	80				70				50				30				10				0
RW	70	50	30	10	70	50	30	10	50	30	10	50	30	10	50	30	10	50	30	10	0
0	80	80	80	80	78	78	78	78	75	75	75	72	72	72	69	69	69	67	67	67	67
1	76	75	73	71	75	73	72	70	70	69	68	68	67	66	66	65	64	63	63	63	63
2	73	70	67	65	71	68	66	64	66	64	62	64	63	61	62	61	60	59	59	59	59
3	69	65	61	59	68	64	61	58	62	59	57	60	58	56	59	57	55	54	54	54	54
4	65	60	56	54	64	59	56	53	58	55	53	57	54	52	55	53	51	50	50	50	50
5	62	56	52	49	61	55	51	49	54	51	48	53	50	48	52	49	47	46	46	46	46
6	58	52	48	45	57	51	47	45	50	47	44	49	46	44	49	46	44	43	43	43	43
7	55	48	44	41	54	47	43	41	47	43	40	46	43	40	45	42	40	39	39	39	39
8	51	44	40	37	50	44	40	37	43	39	37	42	39	37	42	39	36	35	35	35	35
9	48	41	36	33	47	40	36	33	40	36	33	39	36	33	39	35	33	32	32	32	32
10	45	38	33	30	44	37	33	30	37	33	30	36	33	30	36	32	30	29	29	29	29

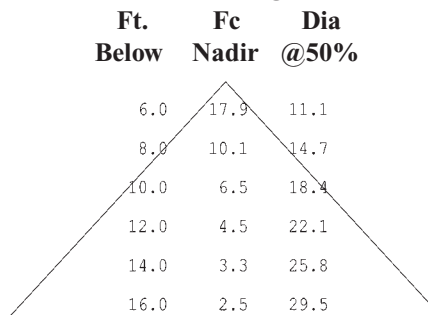


Product Number: A6INC/06000SCL
Frame In Kit: 6" Vertical Mount Incandescent
Reflector: 6" Vertical Tall Clear "Alzak" Reflector
LTL Test Number: 06035 (A21) (Lamp in Bottom Position)
Lamp(s) Source: 150W A21 Rated at 2880 lumens
Total Luminaire Efficiency: 75.1%
CIE Type: Direct
Luminaire Spacing Criterion: 1.7
Luminous Diameter: 6.00

Zonal Lumen Summary

ZONE	LUMENS	%LAMP	%FIXTURE
0- 30	573	19.9	26.5
0- 40	1099	38.1	50.8
0- 60	2047	71.1	94.7
0- 90	2162	75.1	100.0
90-180	0	0.0	0.0
0-180	2162	75.1	100.0

Cone of Light



Coefficients of Utilization

RC	80				70				50				30				10				0
RW	70	50	30	10	70	50	30	10	50	30	10	50	30	10	50	30	10	50	30	10	0
0	89	89	89	89	87	87	87	87	83	83	83	80	80	80	77	77	77	75	75	75	75
1	84	81	79	77	82	79	77	75	76	75	73	73	72	71	71	70	69	67	67	67	67
2	78	73	70	66	76	72	69	65	70	67	64	67	65	63	65	63	61	60	60	60	60
3	72	66	61	57	71	65	60	57	63	59	56	61	58	55	59	56	54	53	53	53	53
4	67	59	54	50	65	59	53	49	57	52	49	55	51	48	54	50	48	46	46	46	46
5	62	53	47	43	60	52	47	43	51	46	42	50	45	42	48	45	42	40	40	40	40
6	57	48	41	37	55	47	41	37	46	40	37	44	40	36	43	39	36	35	35	35	35
7	52	42	36	32	50	41	36	31	40	35	31	39	35	31	38	34	31	29	29	29	29
8	47	38	31	27	46	37	31	27	36	31	27	35	30	27	34	30	27	25	25	25	25
9	43	33	27	23	42	33	27	23	32	27	23	31	26	23	31	26	23	21	21	21	21
10	40	30	24	20	39	29	24	20	29	23	20	28	23	20	27	23	20	18	18	18	18

