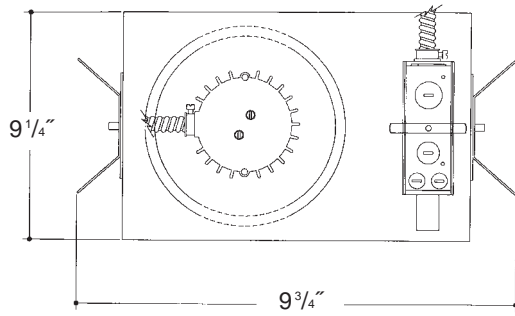
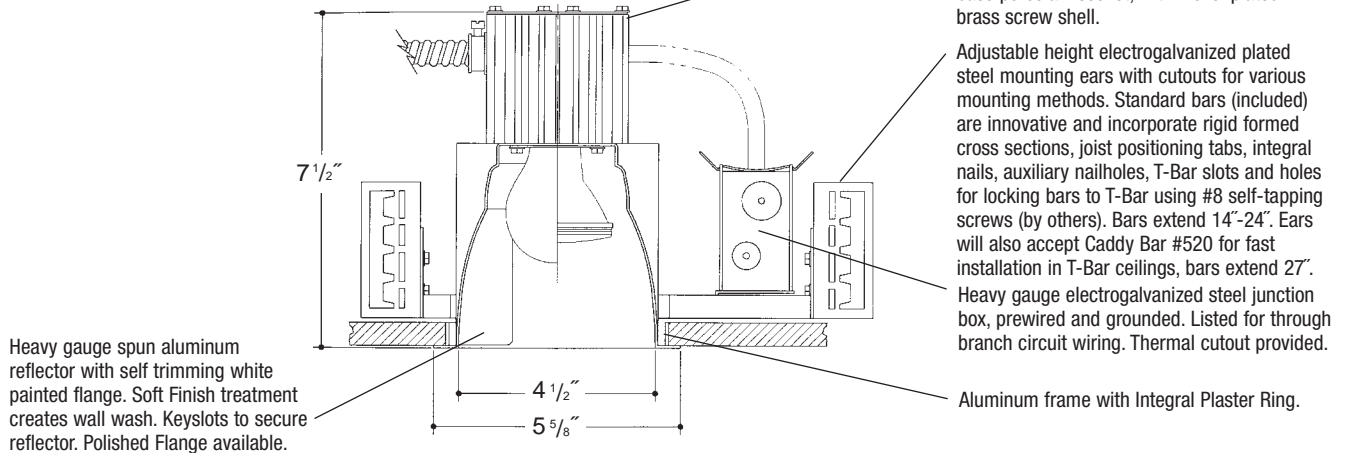


Job Name \_\_\_\_\_

Type \_\_\_\_\_



## 4" OPEN WALL WASH INCANDESCENT



Extruded aluminum heat sink socket cup with Zinc plated steel hardware and spring steel clips for fast assembly. *UL Listed* medium base porcelain socket, with nickel plated brass screw shell.

Adjustable height electrogalvanized plated steel mounting ears with cutouts for various mounting methods. Standard bars (included) are innovative and incorporate rigid formed cross sections, joist positioning tabs, integral nails, auxiliary nailholes, T-Bar slots and holes for locking bars to T-Bar using #8 self-tapping screws (by others). Bars extend 14"-24". Ears will also accept Caddy Bar #520 for fast installation in T-Bar ceilings, bars extend 27". Heavy gauge electrogalvanized steel junction box, prewired and grounded. Listed for through branch circuit wiring. Thermal cutout provided.

Heavy gauge spun aluminum reflector with self trimming white painted flange. Soft Finish treatment creates wall wash. Keyslots to secure reflector. Polished Flange available.

Aluminum frame with Integral Plaster Ring.

### Rough in Kit – 4" Incandescent (100W A19; 50W PAR20; 50W R20; 75W PAR16)

Catalog Number **A4INC** \_\_\_\_\_

**A4INC**

Wattage

Voltage

Options

100W MAX. A19  
50W PAR20  
50W R20  
75W PAR16

120

277V SD

Options ▲

**277V SD**

Step Down Transformer 277V to 120V

**PAR Lamp** – Replace **A4INC** with **PA4INC**

(6" Height)

### Finishing Kit – 4" Incandescent Open Reflector Downlight Wall Washer

Catalog Number **4100** \_\_\_\_\_

**4100**

Finish

Options

SCL  
SGO

PF

Finish (Factory Standard)

**SCL**

Specular Clear "Alzak" Reflector with White Flange

**SGO**

Specular Gold "Alzak" Reflector with White Flange

Options ▲

**PF**

High Polished Flange

### Features

Manufactured and Listed to UL 1598, ETL and CSA standards.  
Suitable for Damp Locations  
Wet location under covered ceiling



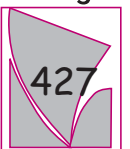
▲ See Options and Finishes pages for a list of additional finishes and equipment.

Vantage reserves the right to change components, finishes or design details in any manner which does not alter the installed appearance or reduce performance and intended function.

05/07

76 Community Avenue Plainfield, CT 06374  
voice (860)564.4512 fax (860)564.4854  
www.vantageltg.com

Vantage



Luminaires