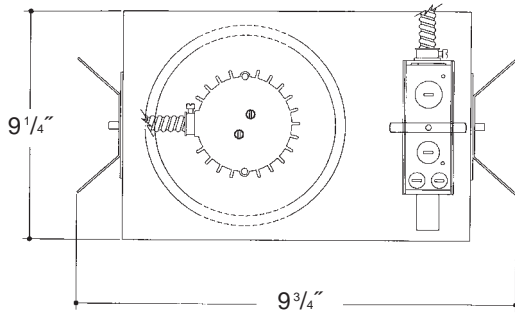


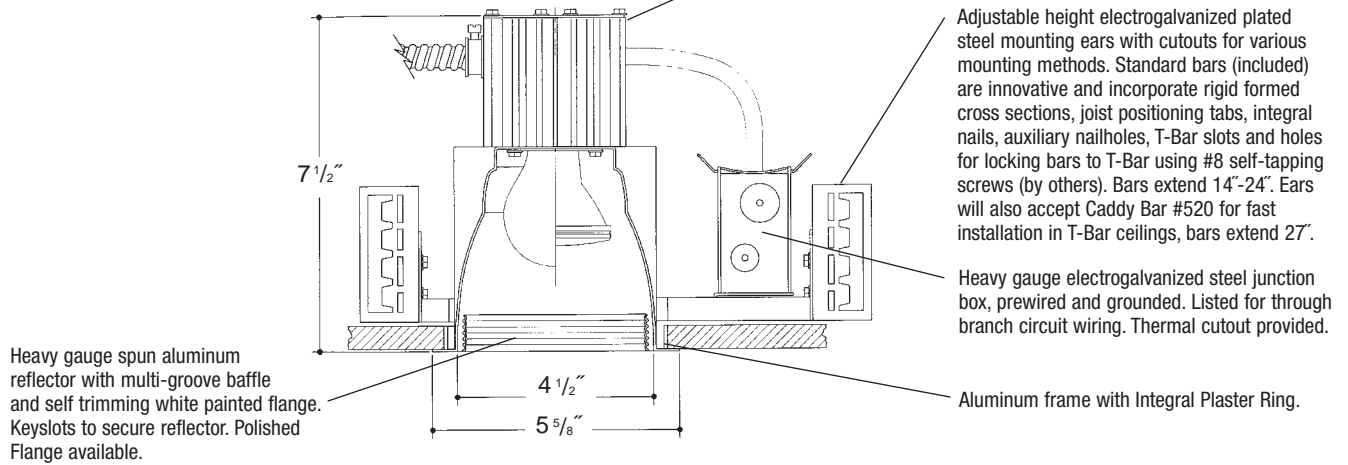
Architectural Grade

Job Name _____

Type _____



4" OPEN BAFFLED INCANDESCENT



Extruded aluminum heat sink socket cup with Zinc plated steel hardware and spring steel clips for fast assembly. *UL Listed* medium base porcelain socket, with nickel plated brass screw shell.

Adjustable height electrogalvanized plated steel mounting ears with cutouts for various mounting methods. Standard bars (included) are innovative and incorporate rigid formed cross sections, joist positioning tabs, integral nails, auxiliary nailholes, T-Bar slots and holes for locking bars to T-Bar using #8 self-tapping screws (by others). Bars extend 14"-24". Ears will also accept Caddy Bar #520 for fast installation in T-Bar ceilings, bars extend 27".

Heavy gauge electrogalvanized steel junction box, prewired and grounded. Listed for through branch circuit wiring. Thermal cutout provided.

Aluminum frame with Integral Plaster Ring.

Heavy gauge spun aluminum reflector with multi-groove baffle and self trimming white painted flange. Keyslots to secure reflector. Polished Flange available.

Rough in Kit – 4" Incandescent (100W A19; 50W PAR20; 50W R20; 75W PAR16)

Catalog Number **A4INC** _____

A4INC	Wattage	Voltage	Options
	100W MAX. A19 50W PAR20 50W R20 75W PAR16	120	277V SD

Options ▲
277V SD Step Down Transformer 277V to 120V

PAR Lamp – Replace **A4INC** with **PA4INC** (6" Height)

Finishing Kit – 4" Incandescent Open Baffled Reflector

Catalog Number **4050** _____

4050	Finish	Options
	SCL/BL SGO/BL SCL/WH SGO/WH WHT/WH WHT/BL	PF

Finish (Factory Standard)

SCL/BL	Specular Clear "Alzak" with White Flange and Black Baffle
SGO/BL	Specular Gold "Alzak" with White Flange and Black Baffle
SCL/WH	Specular Clear "Alzak" with White Flange and White Baffle
SGO/WH	Specular Gold "Alzak" with White Flange and White Baffle
WHT/WH	White Reflector with White Flange and White Baffle
WHT/BL	White Reflector with White Flange and Black Baffle

Options ▲
PF High Polished Flange

Features

Manufactured and Listed to UL 1598, ETL and CSA standards.
Suitable for Damp Locations
Wet location under covered ceiling



▲ See Options and Finishes pages for a list of additional finishes and equipment.

Vantage reserves the right to change components, finishes or design details in any manner which does not alter the installed appearance or reduce performance and intended function.

05/07

76 Community Avenue Plainfield, CT 06374
voice (860)564.4512 fax (860)564.4854
www.vantageltg.com

