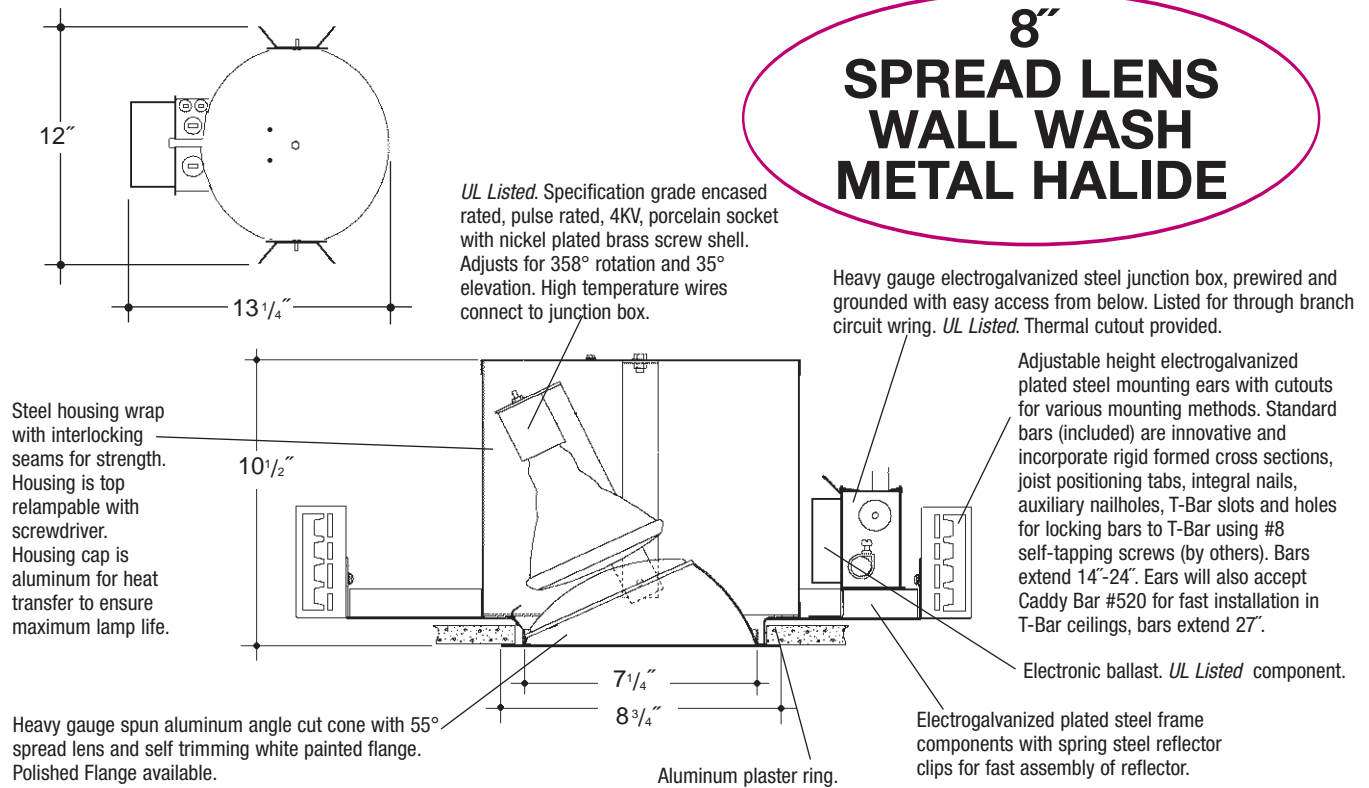


Architectural Grade

Job Name _____

Type _____



Rough In Kit – 8" Metal Halide Adjustable Wall Wash (PAR20; PAR30; PAR38 Enclosed Rated* Lamps). *Note: 'Enclosed Fixture Rated' lamp must be used.

Catalog Number **PA8MHE-ADJ-WW** _____

PA8MHE-ADJ-WW	Wattage	Ballast	Voltage	Options	Ballast	Options
					E	Electronic
	150W MAX. PAR38	E	1	QR	1	120 Volts
	100W PAR38		2	QS	2	277 Volts
	70W PAR30, PAR38		4	F	4	208 Volts
	50W PAR30				Options ▲	
	35/39W PAR20, PAR30				QR	Quartz Restrike
					QS	Quartz Socket
					F	Fused

Finishing Kit – 8" Metal Halide Angle Cut "Alzak" Cone 55° Spread Lens Wall Washer

Catalog Number **A8037** _____

A8037	Wattage	Options	Finish Options
	SCL	PF	SCL Specular Clear "Alzak" with White Flange
	SGO		SGO Specular Gold "Alzak" with White Flange
	WHT		WHT White Reflector with White Flange
			Options ▲
			PF High Polished Flange

Features

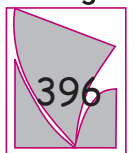
Manufactured and Listed to UL 1598, ETL and CSA standards.
Suitable for Damp Locations
Wet location under covered ceiling



▲ See Options and Finishes pages for a list of additional finishes and equipment.

Vantage reserves the right to change components, finishes or design details in any manner which does not alter the installed appearance or reduce performance and intended function.

Vantage



Luminaires

76 Community Avenue Plainfield, CT 06374
voice (860) 564.4512 fax (860) 564.4854
www.vantageitg.com

06/07