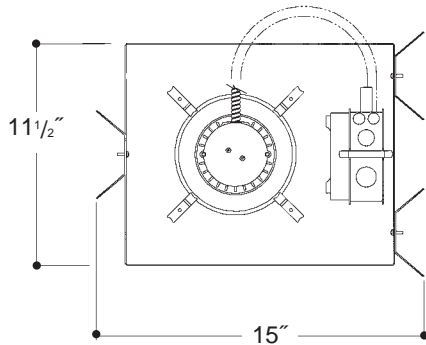


# A r c h i t e c t u r a l   G r a d e

Job Name \_\_\_\_\_

Type \_\_\_\_\_

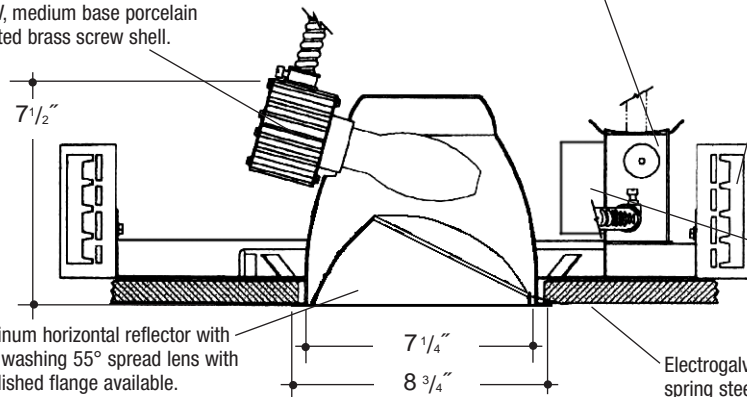


## 8" HORIZONTAL SPREAD LENS WALL WASH HID

Extruded aluminum heat sink socket cup with spring steel snap-in clips for fast assembly. *UL Listed* "open rated" pulse rated, 4KV, medium base porcelain socket, with nickel plated brass screw shell.

Heavy gauge electrogalvanized steel junction box, prewired and grounded with easy access from below. Listed for through branch circuit wiring. Thermal cutout provided.

Adjustable height electrogalvanized plated steel mounting ears with cutouts for various mounting methods. Standard bars (included) are innovative and incorporate rigid formed cross sections, joist positioning tabs, integral nails, auxiliary nailholes, T-Bar slots and holes for locking bars to T-Bar using #8 self-tapping screws (by others). Bars extend 14"-24". Ears will also accept Caddy Bar #520 for fast installation in T-Bar ceilings, bars extend 27".



Heavy gauge spun aluminum horizontal reflector with angle cut cone and wall washing 55° spread lens with white painted flange. Polished flange available. Safety chain provided.

Electronic ballast. *UL Listed* component.

### Rough in Kit – 8" Horizontal HID (ED17 Enclosed Rated\* Lamps). *\*Note:* 'Enclosed Fixture Rated' lamp must be used.

Catalog Number **A8MHE-HOR**

A8MHE-HOR	Wattage	Ballast	Voltage	Options	Ballast	Encased & Potted "F" Can Electronic
	100W MAX. ED17	H	1	QR	H	
	70W ED17	E	2	QS	E	
	50W ED17		3*	F	Voltage	1 120 Volts
			4	R	2 277 Volts	3* 347 Volts
					4 208 Volts	
					Options ▲	
					QR	Quartz Restrike
					QS	Quartz Socket
					PR	Plaster Ring
					F	Fused
					R	Remodeler

HPS – Replace A8MHE-HOR with HPS – A8HPSE-HOR

\* – 347V frame size - 14 1/2" x 17 3/4"

### Finishing Kit – 8" Horizontal HID Angled Cut "Alzak" Cone 55° Spread Lens Wall Washer

Catalog Number **8637**

8637	Finish	Options	Finish (Factory Standard)
	SCL	PF	SCL Specular Clear "Alzak" with White Flange
	SGO		SGO Specular Gold "Alzak" with White Flange
	WHT		WHT White Reflector with White Flange
			Options ▲
			PF High Polished Flange

#### Features

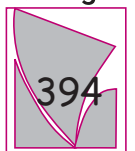
Manufactured and Listed to UL 1598, ETL and CSA standards. Suitable for Damp Locations Wet location under covered ceiling



▲ See Options and Finishes pages for a list of additional finishes and equipment.

Vantage reserves the right to change components, finishes or design details in any manner which does not alter the installed appearance or reduce performance and intended function.

Vantage



Luminaires

76 Community Avenue Plainfield, CT 06374  
 voice (860) 564.4512 fax (860) 564.4854  
 www.vantageitg.com

06/07