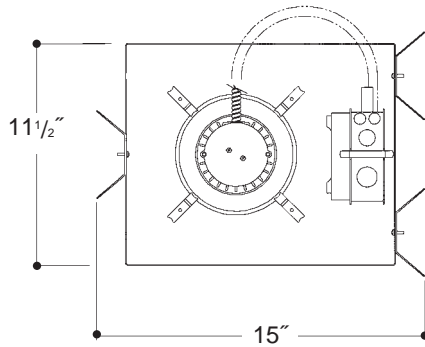


# Architectural Grade

Job Name \_\_\_\_\_

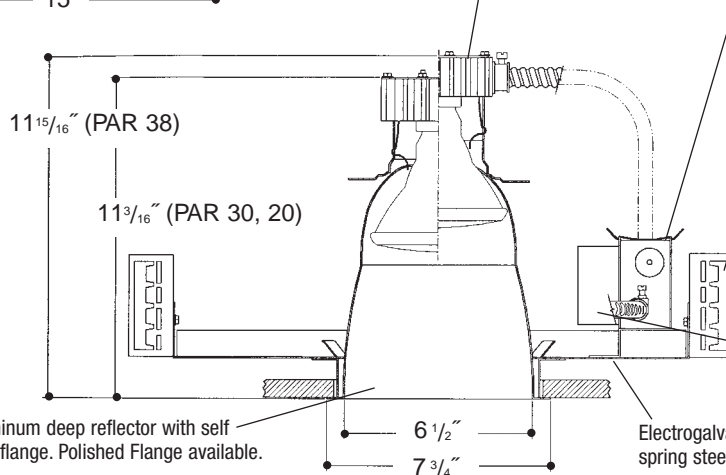
Type \_\_\_\_\_



Extruded aluminum heat sink socket cup with spring steel snap-in clips for fast assembly. *UL Listed* "open rated" pulse rated, 4KV, medium base porcelain socket, with nickel plated brass screw shell.

## 7" DEEP OPEN METAL HALIDE

Heavy gauge electrogalvanized steel junction box, prewired and grounded with easy access from below. Listed for through branch circuit wiring. Thermal cutout provided.



Adjustable height electrogalvanized plated steel mounting ears with cutouts for various mounting methods. Standard bars (included) are innovative and incorporate rigid formed cross sections, joist positioning tabs, integral nails, auxiliary nailholes, T-Bar slots and holes for locking bars to T-Bar using #8 self-tapping screws (by others). Bars extend 14"-24". Ears will also accept Caddy Bar #520 for fast installation in T-Bar ceilings, bars extend 27".

Electronic ballast. *UL Listed* component.

Heavy gauge spun aluminum deep reflector with self trimming white painted flange. Polished Flange available.

Electrogalvanized plated steel frame components with spring steel reflector clips for fast assembly of reflector.

### Rough in Kit – 7" Metal Halide (PAR20; PAR30; PAR38 Open Rated\* Lamp). *\*Note: 'Open Fixture Rated' lamp must be used.*

Catalog Number **PA7MHO**

PA7MHO	Wattage	Ballast	Voltage	Options
	150W MAX. PAR38	H♦	1	QS
	100W PAR38	E	2	QR
	70W PAR30, PAR38		3*	PR
	50W PAR30		4	R
	35/39W PAR20, PAR30			F

Ballast	
H♦	Encased & Posted "F" Can
E	Electronic
Voltage	
1	120 Volts
2	277 Volts
3*	347 Volts
4	208 Volts
Options ▲	
QS	Quartz Socket
QR	Quartz Restrike
PR	Plaster Ring
R	Remodeler
F	Fused

\* – 347V frame size - 14 1/2" x 17 3/4"

♦ – "F" Can Ballast available only in 150W: frame size – 16 3/4" x 17 3/4"

### Finishing Kit – 7" Metal Halide Deep Open Reflector

Catalog Number **7500**

7500	Finish	Options
	SCL	PF
	SGO	
	WHT	

Finish (Factory Standard)

SCL	Specular Clear "Alzak" Reflector with White Flange
SGO	Specular Gold "Alzak" Reflector with White Flange
WHT	White Reflector with White Flange

Options ▲

PF	High Polished Flange
----	----------------------

### Features

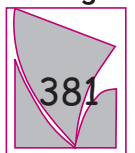
Manufactured and Listed to UL 1598, ETL and CSA standards. Suitable for Damp Locations. Wet location under covered ceiling



▲ See Options and Finishes pages for a list of additional finishes and equipment.

Vantage reserves the right to change components, finishes or design details in any manner which does not alter the installed appearance or reduce performance and intended function.

Vantage



76 Community Avenue Plainfield, CT 06374  
 voice (860) 564.4512 fax (860) 564.4854  
 www.vantageitg.com

06/07

Luminaires