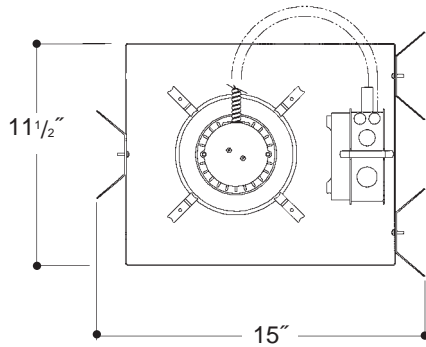


# Architectural Grade

Job Name \_\_\_\_\_

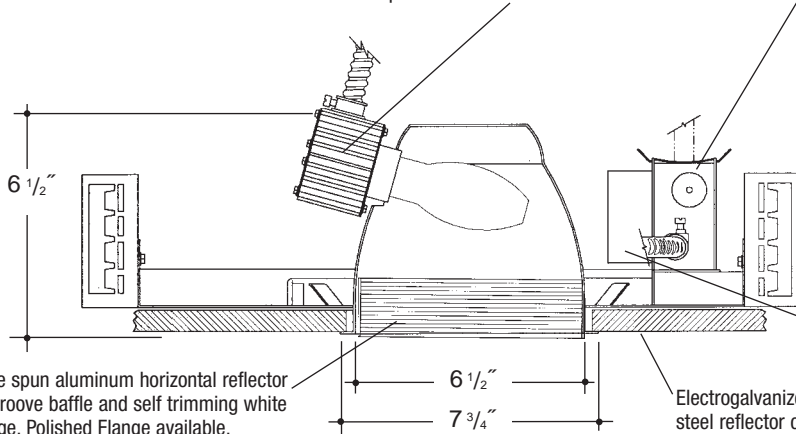
Type \_\_\_\_\_



## 7" HORIZONTAL OPEN BAFFLED HID

Extruded aluminum heat sink socket cup with spring steel snap-in clips for fast assembly. *UL Listed* "open rated" pulse rated, 4KV, medium base porcelain socket, with nickel plated brass screw shell.

Heavy gauge electrogalvanized steel junction box, prewired and grounded with easy access from below. Listed for through branch circuit wiring. Thermal cutout provided.



Adjustable height electrogalvanized plated steel mounting ears with cutouts for various mounting methods. Standard bars (included) are innovative and incorporate rigid formed cross sections, joint positioning tabs, integral nails, auxiliary nailholes, T-Bar slots and holes for locking bars to T-Bar using #8 self-tapping screws (by others). Bars extend 14"-24". Ears will also accept Caddy Bar #520 for fast installation in T-Bar ceilings, bars extend 27".

Heavy gauge spun aluminum horizontal reflector with multi-groove baffle and self trimming white painted flange. Polished Flange available.

Electronic ballast. *UL Listed* component.

Electrogalvanized plated steel frame components with spring steel reflector clips for fast assembly of reflector.

### Rough in Kit – 7" Horizontal HID (ED17 Open Rated\* Lamp). *\*Note:* 'Open Fixture Rated' lamp must be used.

Catalog Number **A7MHO-HOR** \_\_\_\_\_

**A7MHO-HOR**

Wattage

Ballast

Voltage

Options

100W MAX ED17  
70W ED17  
50W ED17  
35W ED17

H  
E

1  
2  
3\*  
4

QS  
QR  
PR  
R  
F

Ballast

**H** Encased & Potted "F" Can  
**E** Electronic

Voltage

**1** 120 Volts  
**2** 277 Volts  
**3\*** 347 Volts  
**4** 208 Volts

Options ▲

**QS** Quartz Socket  
**QR** Quartz Restrike  
**PR** Plaster Ring  
**R** Remodeler  
**F** Fused

HPS\* – Replace **A7MHO-HOR** with **HPS-A7HPSO-HOR**

\* – HPS and 347V frame size - 14 1/2" x 17 3/4"

### Finishing Kit – 7" Horizontal HID Open Baffled Reflector

Catalog Number **7652** \_\_\_\_\_

**7652**

Finish

Options

SCL/BL  
SGO/BL  
SCL/WH  
SGO/WH  
WHT/WH  
WHT/BL

PF

Finish (Factory Standard)

**SCL/BL** Specular Clear "Alzak" with White Flange and Black Baffle  
**SGO/BL** Specular Gold "Alzak" with White Flange and Black Baffle  
**SCL/WH** Specular Clear "Alzak" with White Flange and White Baffle  
**SGO/WH** Specular Gold "Alzak" with White Flange and White Baffle  
**WHT/WH** White Reflector with White Flange with White Baffle  
**WHT/BL** White Reflector with White Flange with Black Baffle

Options ▲

**PF** High Polished Flange

### Features

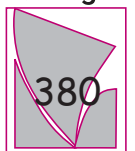
Manufactured and Listed to UL 1598, ETL and CSA standards. Suitable for Damp Locations Wet location under covered ceiling



▲ See Options and Finishes pages for a list of additional finishes and equipment.

Vantage reserves the right to change components, finishes or design details in any manner which does not alter the installed appearance or reduce performance and intended function.

Vantage



Luminaires

76 Community Avenue Plainfield, CT 06374  
voice (860) 564.4512 fax (860) 564.4854  
www.vantageitg.com

06/07