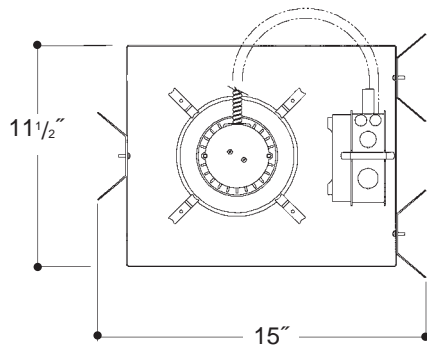


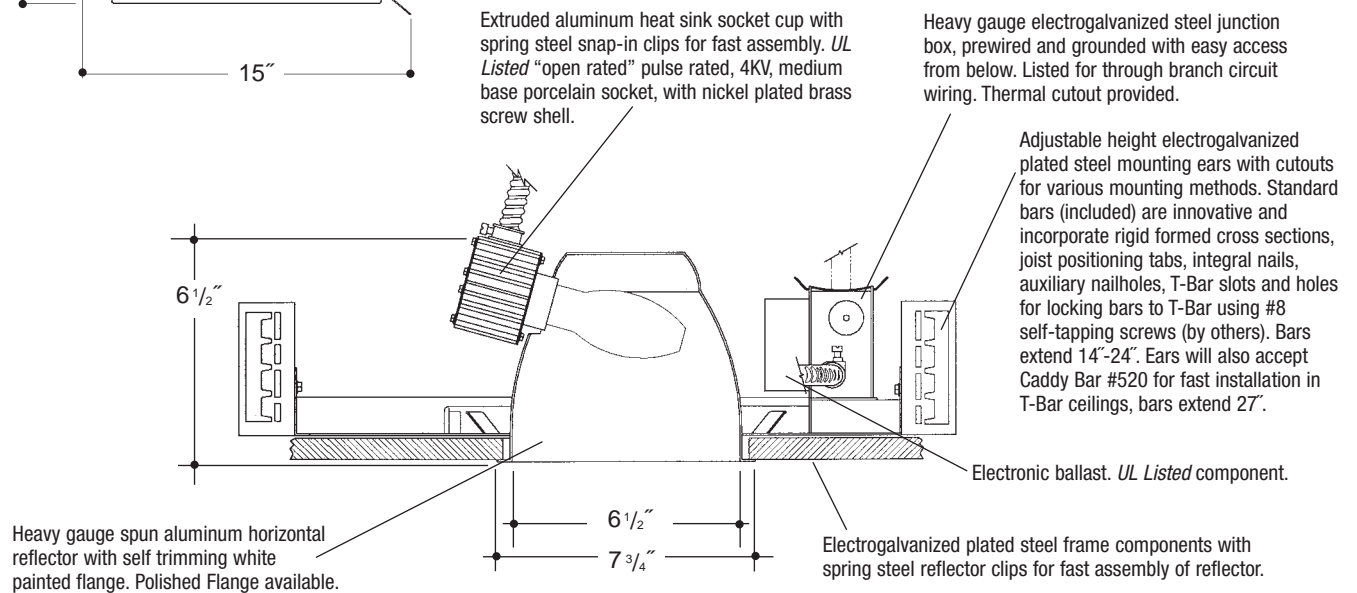
Architectural Grade

Job Name _____

Type _____



7" HORIZONTAL OPEN HID



Rough in Kit – 7" Horizontal HID (ED17 Open Rated* lamps). *Note: 'Open Fixture Rated' lamp must be used.

Catalog Number **A7MHO-HOR**

A7MHO-HOR	Wattage	Ballast	Voltage	Options	Ballast	
	100W MAX. ED17	H	1	QR	H	Encased & Potted "F" Can
	70W ED17	E	2	QS	E	Electronic
	50W ED17		3*	PR	Voltage	
	35W ED17		4	F	1	120 Volts
				R	2	277 Volts
					3*	347 Volts
					4	208 Volts
					Options ▲	
					QR	Quartz Restrike
					QS	Quartz Socket
					PR	Plaster Ring
					F	Fused
					R	Remodeler

HPS* – Replace **A7MHO-HOR** with **HPS – A7HPS0-HOR**

* – HPS and 347V frame size - 14 1/2" x 17 3/4"

Finishing Kit – 7" Horizontal HID Open Reflector

Catalog Number **7602**

7602	Finish	Options	
	SCL	PF	Finish (Factory Standard)
	SGO		SCL Specular Clear "Alzak" with White Flange
	WHT		SGO Specular Gold "Alzak" with White Flange
			WHT White Reflector with White Flange
			Options ▲
			PF High Polished Flange

Features

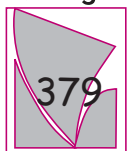
Manufactured and Listed to UL 1598, ETL and CSA standards. Suitable for Damp Locations Wet location under covered ceiling



▲ See Options and Finishes pages for a list of additional finishes and equipment.

Vantage reserves the right to change components, finishes or design details in any manner which does not alter the installed appearance or reduce performance and intended function.

Vantage



76 Community Avenue Plainfield, CT 06374
 voice (860) 564.4512 fax (860) 564.4854
 www.vantageitg.com

06/07

Luminaires