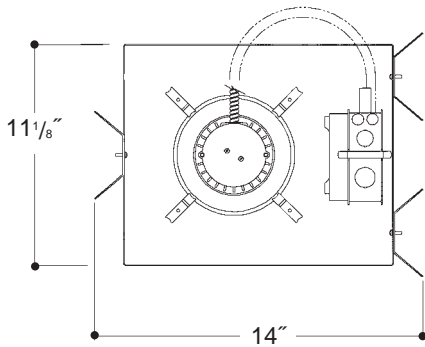


Architectural Grade

Job Name _____

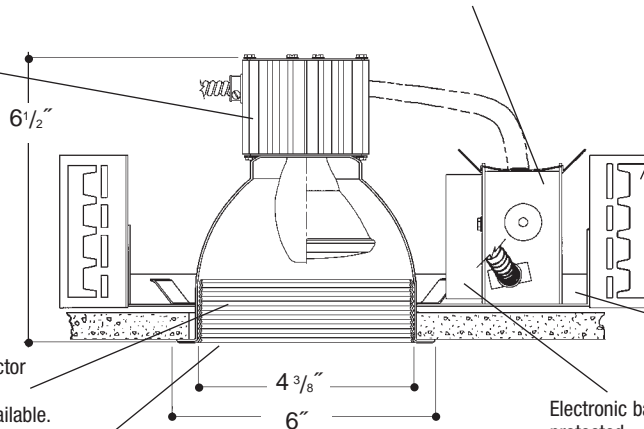
Type _____



5" SHALLOW OPEN BAFFLED HID

Heavy gauge electrogalvanized steel junction box, prewired and grounded with easy access from below. Listed for through branch circuit wiring. Thermal cutout provided.

Extruded aluminum heat sink socket cup with spring steel snap-in clips for fast assembly. *UL Listed* "open rated", pulse rated, 4KV, medium base porcelain socket, with nickel plated brass screw shell.



Adjustable height electrogalvanized plated steel mounting ears with cutouts for various mounting methods. Standard bars (included) are innovative and incorporate rigid formed cross sections, joist positioning tabs, integral nails, auxiliary nailholes, T-Bar slots and holes for locking bars to T-Bar using #8 self-tapping screws (by others). Bars extend 14"-24". Ears will also accept Caddy Bar #520 for fast installation in T-Bar ceilings, bars extend 27".

Heavy gauge spun aluminum reflector with multi-groove baffle and white painted flange. Polished Flange available.

Electrogalvanized plated steel frame components with spring steel reflector clips for fast assembly of reflector.

Electrogalvanized plated steel plaster ring.

Electronic ballast, Class P, 50/60 HZ-120/277, thermally protected, >90% Power Factor, 1.0 Ballast Factor, <15% THD. Class A sound rated Minimum starting temperature -30°C/-20°F. *UL Listed* component.

Rough In Kit – 5" HID (ED17; PAR20; PAR30 Open Rated* Lamps) *Note: 'Open Fixture Rated' lamp must be used.

Catalog Number **A5MHO**

A5MHO

Wattage

Ballast

Voltage

Options

70W MAX. PAR30, ED17
50W PAR30, ED17
35/39W PAR20, PAR30

E

1

2

4

Ballast

E

Voltage

1

2

4

Options ▲

Electronic

120 Volts

277 Volts

208 Volts

PAR Lamp – Add P – PA5MHO

Finishing Kit – 5" HID Open Baffled Reflector

Catalog Number **5350**

5350

Finish

Options

SCL/BL
SGO/BL
SCL/WH
SGO/WH
WHT/WH
WHT/BL

PF

Finish (Factory Standard)

SCL/BL

Specular Clear "Alzak" with White Flange and Black Baffle

SGO/BL

Specular Gold "Alzak" with White Flange and Black Baffle

SCL/WH

Specular Clear "Alzak" with White Flange and White Baffle

SGO/WH

Specular Gold "Alzak" with White Flange and White Baffle

WHT/WH

White Reflector with White Flange and White Baffle

WHT/BL

White Reflector with White Flange and Black Baffle

Options ▲

PF

High Polished Flange

Features

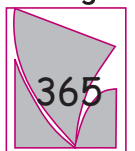
Manufactured and Listed to UL 1598, ETL and CSA standards. Suitable for Damp Locations Wet location under covered ceiling



▲ See Options and Finishes pages for a list of additional finishes and equipment.

Vantage reserves the right to change components, finishes or design details in any manner which does not alter the installed appearance or reduce performance and intended function.

Vantage



Luminaires

76 Community Avenue Plainfield, CT 06374
voice (860) 564.4512 fax (860) 564.4854
www.vantageitg.com

07/07