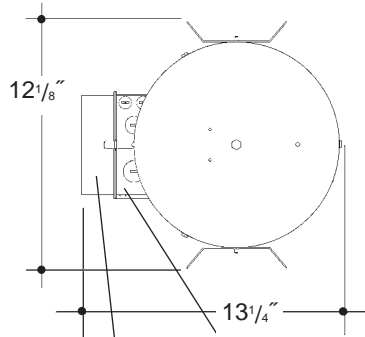


A r c h i t e c t u r a l G r a d e

Job Name _____

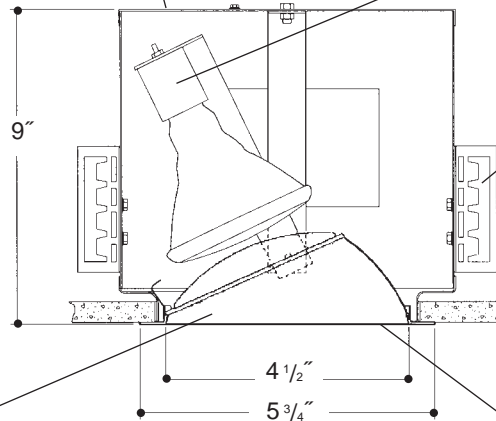
Type _____



Electronic ballast.
UL Listed component.

Heavy gauge electrogalvanized steel junction box, prewired and grounded with easy access from below. Listed for through branch circuit wiring. *UL Listed*. Thermal cutout provided.

Steel housing wrap with interlocking seams for strength. Housing is top relampable with screwdriver. Housing cap is aluminum for heat transfer to ensure maximum lamp life.



Heavy gauge spun aluminum angle cut "Alzak" cone with tempered glass 55° spread lens and integral white painted flange.

4" SPREAD LENS WALL WASHER METAL HALIDE

UL Listed. Specification grade open rated, pulse rated, 4KV, porcelain socket with nickel plated brass screw shell. Adjusts for 358° rotation and 35° elevation. High temperature wires connect to junction box.

Adjustable height electrogalvanized plated steel mounting ears with cutouts for various mounting methods. Standard bars (included) are innovative and incorporate rigid formed cross sections, joist positioning tabs, integral nails, auxiliary nailholes, T-Bar slots and holes for locking bars to T-Bar using #8 self-tapping screws (by others). Bars extend 14"-24". Ears will also accept Caddy Bar #520 for fast installation in T-Bar ceilings, bars extend 27".

Aluminum frame with Integral Plaster Ring.

Rough in Kit – 4" Metal Halide Adjustable Wall Wash (PAR20; Enclosed Rated* Lamps)

Catalog Number **PA4MHE-ADJ-WW** _____

PA4MHE-ADJ-WW

Wattage

Ballast

Voltage

Options

Options

E

Electronic

Voltage

1

120 Volts

2

277 Volts

4

208 Volts

Options ▲

35/39W MAX.
PAR20, PAR30

E

1

2

4

Finishing Kit – 4" Metal Halide Angle Cut "Alzak" Cone 55° Spread Lens Wall Wash

Catalog Number **4037** _____

4037

Finish

Options

Finish (Factory Standard)

SCL

Specular Clear "Alzak" with White Flange

SGO

Specular Gold "Alzak" with White Flange

WHT

White Reflector with White Flange

Options ▲

PF

High Polished Flange

SCL
SGO
WHT

PF

Features

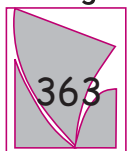
Manufactured and Listed to UL 1598, ETL and CSA standards.
Suitable for Damp Locations
Wet location under covered ceiling



▲ See Options and Finishes pages for a list of additional finishes and equipment.

Vantage reserves the right to change components, finishes or design details in any manner which does not alter the installed appearance or reduce performance and intended function.

Vantage



Luminaires

76 Community Avenue Plainfield, CT 06374
voice (860) 564.4512 fax (860) 564.4854
www.vantageitg.com

06/07