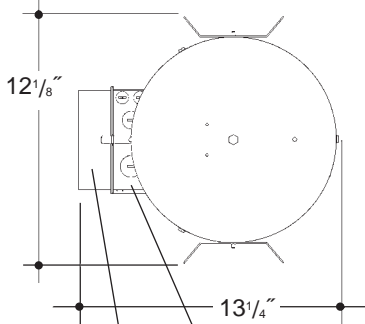


A r c h i t e c t u r a l G r a d e

Job Name _____

Type _____

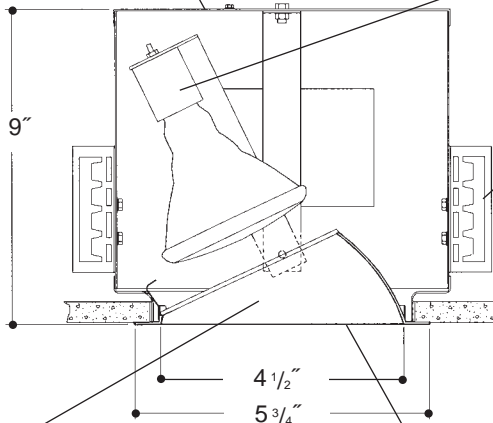


Electronic ballast.
UL Listed component.

Heavy gauge electrogalvanized steel junction box, prewired and grounded with easy access from below. *Listed* for thru branch circuit wiring. *UL Listed*. Thermal cutout provided.

Steel housing wrap with interlocking seams for strength. Housing is top relampable with screwdriver. Housing cap is aluminum for heat transfer to ensure maximum lamp life.

4"
ADJUSTABLE
METAL HALIDE



UL Listed. Specification grade open rated, pulse rated, 4KV, porcelain socket with nickel plated brass screw shell. Adjusts for 358° rotation and 35° elevation. High temperature wires connect to junction box.

Adjustable height electrogalvanized plated steel mounting ears with cutouts for various mounting methods. Standard bars (included) are innovative and incorporate rigid formed cross sections, joist positioning tabs, integral nails, auxiliary nailholes, T-Bar slots and holes for locking bars to T-Bar using #8 self-tapping screws (by others). Bars extend 14"-24". Ears will also accept Caddy Bar #520 for fast installation in T-Bar ceilings, bars extend 27".

Heavy gauge spun aluminum angle cut "Alzak" cone. Internal heat treated spring steel clips hold reflector tight to ceiling. White painted flange standard. Polished Flange available.

Aluminum frame with Integral Plaster Ring.

Rough In Kit – 4" Metal Halide Adjustable (PAR20; PAR30 Open Rated* Lamps)

Catalog Number **PA4MHO-ADJ** _____

PA4MHO-ADJ

Wattage

Ballast

Voltage

Options

Ballast	E	Electronic
Voltage	1	120 Volts
	2	277 Volts
	4	208 Volts
Options ▲		

50W MAX. PAR30

E

1

35/39W PAR20, PAR30

2

4

Finishing Kit – 4" Metal Halide Angle Cut "Alzak" Cone

Catalog Number **4030** _____

4030

Finish

Options

SCL
SGO
WHT

PF

Finish (Factory Standard)

SCL Specular Clear "Alzak" with White Flange
SGO Specular Gold "Alzak" with White Flange
WHT White Reflector with White Flange

Options ▲

PF High Polished Flange

Features

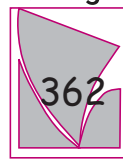
Manufactured and Listed to UL 1598, ETL and CSA standards.
Suitable for Damp Locations
Wet location under covered ceiling



▲ See Options and Finishes pages for a list of additional finishes and equipment.

Vantage reserves the right to change components, finishes or design details in any manner which does not alter the installed appearance or reduce performance and intended function.

Vantage



Luminaires

76 Community Avenue Plainfield, CT 06374
voice (860) 564.4512 fax (860) 564.4854
www.vantageitg.com

06/07