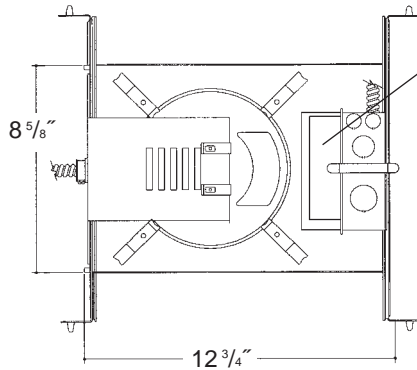


C o m m e r c i a l G r a d e

Job Name _____

Type _____

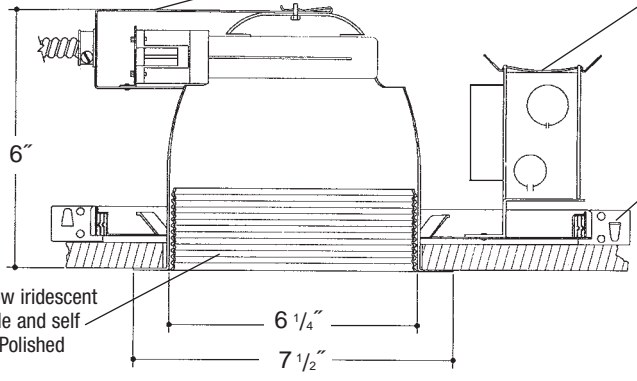


Electronic ballast, Class P, 50/60 HZ-120/277, Programmed Start, thermally protected, 98% Power Factor, 1.00 Ballast Factor, <10% THD, Class A sound rated. Minimum starting temperature -18°C/0°F.
Magnetic ballast, High Power Factor, thermally protected, minimum starting temperature 10°C/50°F.
UL Listed component.

6" H.F. OPEN BAFFLED

Aluminum socket housing with quick assembly hardware for fast assembly.
UL Listed socket and electrical connectors.

Heavy gauge electrogalvanized steel junction box, prewired and grounded with easy access from below. Listed for through branch circuit wiring.



Heavy gauge spun aluminum low iridescent reflector with multi-groove baffle and self trimming white painted flange. Polished Flange available.

Electrogalvanized steel frame components with spring steel reflector clips for fast assembly of reflector. Innovative, rigid bar hangers incorporate formed cross sections, joint positioning tabs, integral nails, auxiliary nailholes, T-Bar slots and holes for locking bars to T-Bar using #8 self-tapping screws (by others). Bars extend 14"-24". Frame will also accept Caddy Bar #517B for fast installation in drop-in ceilings, bars extend 27".

Rough in Kit – 6" Horizontal Fluorescent 2-Lamp (Compact Fluorescent Twin or Quad Tube)

Catalog Number **6HF2**

| 6HF2 | Wattage | Ballast | Voltage | Options |
|------|--------------|---------|---------|---------|
| | 26W MAX. DTT | E | 1 | EM |
| | 18W DTT | H | 2 | F |
| | 13*W TT, DTT | DA | 3 | R |
| | | DL | 4 | EMI |

| Ballast | | |
|------------|--|--------------|
| E | Electronic | (4 Pin Lamp) |
| H | High Power Factor | (2 Pin Lamp) |
| DA | Dimming - Advance Mark X | (4 Pin Lamp) |
| DL | Dimming - Lutron | (4 Pin Lamp) |
| * | 13W Advance Mark VII Only | |
| Voltage | | |
| 1 | 120 Volts | |
| 2 | 277 Volts | |
| 3 | 347 Volts (Electronic Ballast only) | |
| 4 | 208 Volts (Electronic Ballast Only) | |
| Options ▲ | | |
| EM | Emergency Battery | |
| F | Fused | |
| R | Remodeler | |
| EMI | Internal Mounted Emergency Test Switch | |

1-Lamp – Replace **6HF2** with **6HF1**

Electronic Multi-Tap Ballast 120V Thru 277V Factory Standard

Finishing Kit – 6" Horizontal Fluorescent Open Baffled Reflector

Catalog Number **6650**

| 6650 | Finish | Options |
|------|--------|---------|
| | SCL/BL | PF |
| | SGO/BL | |
| | SCL/WH | |
| | SGO/WH | |
| | WHT/WH | |
| | WHT/BL | |

Finish (Factory Standard)

| | |
|---------------|---|
| SCL/BL | Specular Clear "Alzak" with White Flange and Black Baffle |
| SGO/BL | Specular Gold "Alzak" with White Flange and Black Baffle |
| SCL/WH | Specular Clear "Alzak" with White Flange and White Baffle |
| SGO/WH | Specular Gold "Alzak" with White Flange and White Baffle |
| WHT/WH | White Reflector with White Flange and White Baffle |
| WHT/BL | White Reflector with White Flange and Black Baffle |

Options ▲

| | |
|-----------|----------------------|
| PF | High Polished Flange |
|-----------|----------------------|

Features

Manufactured and Listed to UL 1598, ETL and CSA standards.
Suitable for Damp Locations
Wet location under covered ceiling



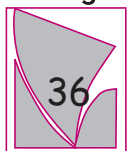
▲ See Options and Finishes pages for a list of additional finishes and equipment.

Vantage reserves the right to change components, finishes or design details in any manner which does not alter the installed appearance or reduce performance and intended function.

05/07

76 Community Avenue Plainfield, CT 06374
voice (860)564.4512 fax (860)564.4854
www.vantageltg.com

Vantage



Luminaire