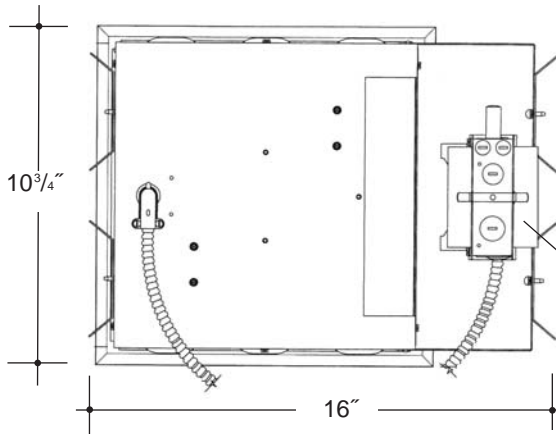


A r c h i t e c t u r a l G r a d e

Job Name _____

Type _____



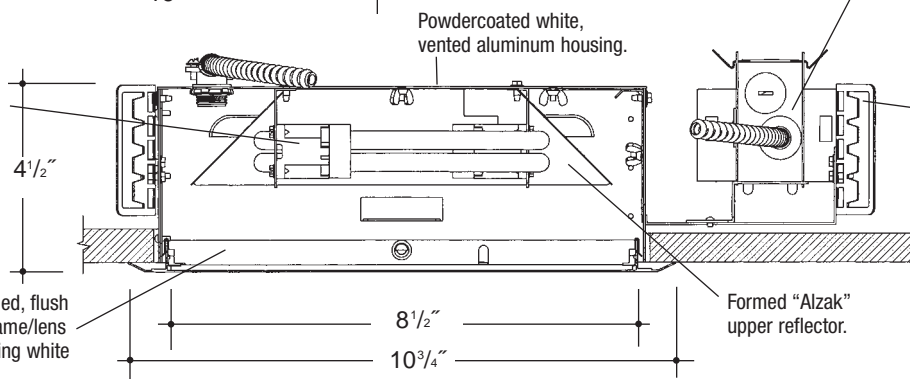
**8" x 8" H.F. 2 LT
LENSED SQUARE**

Electronic ballasts, Class P, 50/60 HZ-120/277, Programmed Start, thermally protected, 98% Power Factor, 1.00 Ballast Factor, <10% THD, Class A sound rated. Minimum starting temperature -18°C/0°F. Magnetic ballasts, High Power Factor, thermally protected, minimum starting temperature 10°C/50°F. *UL Listed* component.

Heavy gauge electrogalvanized steel junction box, prewired and grounded with easy access from below. Listed for through branch circuit wiring.

Adjustable height electrogalvanized plated steel mounting ears with cutouts for various mounting methods. Standard bars (included) are innovative and incorporate rigid formed cross sections, joint positioning tabs, integral nails, auxiliary nailholes, T-Bar slots and holes for locking bars to T-Bar using #8 self-tapping screws (by others). Bars extend 14"-24". Ears will also accept Caddy Bar #520 for fast installation in T-Bar ceilings, bars extend 27".

Aluminum socket housing on a electrogalvanized steel frame. *UL Listed* socket and electrical connectors.



Powdercoated white, vented aluminum housing.

Heavy gauge formed, flush aluminum door frame/lens holder. Self trimming white painted flange.

Formed "Alzak" upper reflector.

Rough in Kit and Lens – 8"x8" Horizontal Fluorescent (Compact Fluorescent Twin, Quad or Triple Tube)

Catalog Number **VSQ88HF2**

VSQ88HF2

Wattage

Ballast

Voltage

Lens

Options

32W MAX. PLT
26W DTT, PLT
18W DTT, PLT
13*W TT, DTT

E
H
DA
DL

1
2
3
4

11
14
16

EM
F
TMPR
WL

Electronic Multi-Tap Ballast 120V Thru 277V Factory Standard

Ballast

E Electronic (4 Pin Lamp)
H High Power Factor (2 Pin Lamp)
DA Dimming - Advance Mark X (4 Pin Lamp)
DL Dimming - Lutron (4 Pin Lamp)
***** 13 Watt Advance Mark VII Only

Lens

11 Tempered Clear Lens
14 Tempered Prismatic Lens
16 Fresnel Lens

Voltage

1 120 Volts
2 277 Volts
3 347 Volts (Electronic Ballast Only)
4 208 Volts (Electronic Ballast Only)

Options ▲

EM Emergency Battery
F Fused
TMPR Tamper Resistant Hardware
WL Sealed Lens and Gasketed Flange

Features

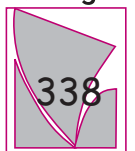
Manufactured and Listed to UL 1598, ETL and CSA standards. Suitable for Damp Locations Wet location under covered ceiling



▲ See Options and Finishes pages for a list of additional finishes and equipment.

Vantage reserves the right to change components, finishes or design details in any manner which does not alter the installed appearance or reduce performance and intended function.

Vantage



Luminaires

76 Community Avenue Plainfield, CT 06374
voice (860)564.4512 fax (860)564.4854
www.vantageitg.com

06/07