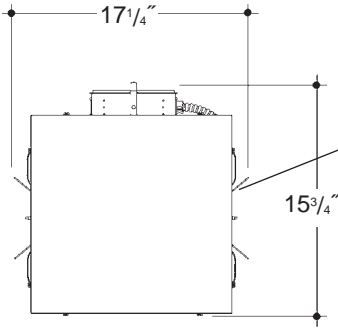


Architectural Grade

Job Name _____

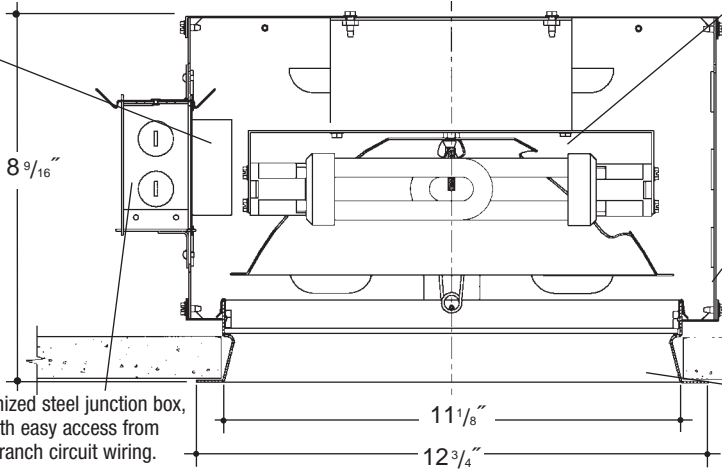
Type _____



Adjustable height electrogalvanized plated steel mounting ears with cutouts for various mounting methods. Standard bars (included) are innovative and incorporate rigid formed cross sections, joist positioning tabs, integral nails, auxiliary nailholes, T-Bar slots and holes for locking bars to T-Bar using #8 self-tapping screws (by others). Bars extend 14"-24". Ears will also accept Caddy Bar #520 for fast installation in T-Bar ceilings, bars extend 27".

12" H.F. 2 LT LENSED

Electronic ballast, Class P, 50/60 HZ-120/277, Programmed Start, thermally protected, 98% Power Factor, 1.00 Ballast Factor, <10% THD, Class A sound rated. Minimum starting temperature -18°C/0°F.
Magnetic ballast, High Power Factor, thermally protected, minimum starting temperature 10°C/50°F.
UL Listed component.



Aluminum socket housing on an electrogalvanized steel frame. *UL Listed* socket and electrical connectors.

Electrogalvanized plated steel frame.

Heavy gauge electrogalvanized steel junction box, prewired and grounded with easy access from below, listed for through branch circuit wiring.

Heavy gauge spun aluminum shallow upper low iridescent reflector with lower splay/lens holder and self trimming white painted flange. Polished Flange available.

Rough in Kit – 12" Horizontal Fluorescent 2-Lamp (Compact Fluorescent Quad and Triple Tube)

Catalog Number **A12HF2**

A12HF2	Wattage	Ballast	Voltage	Options
	42W MAX. PLT	E	1	EM
	32W PLT	H	2	F
	26W PLT, DTT	DA	3	R
		DL	4	PR

Ballast		
E	Electronic	(4 Pin Lamp)
H	High Power Magnetic	(2 Pin Lamp)
DA	Dimming - Advance Mark X	(4 Pin Lamp)
DL	Dimming - Lutron	(4 Pin Lamp)
Voltage		
1	120 Volts	
2	277 Volts	
3	347 Volts (Electronic Ballast only)	
4	208 Volts (Electronic Ballast Only)	
Options ▲		
EM	Emergency Battery	
F	Fused	
R	Remodeler	
PR	Plaster Ring	

Electronic Multi-Tap Ballast 120V Thru 277V Factory Standard

Finishing Kit – 12" Horizontal Fluorescent Shallow Lensed Reflector – clear reflector standard with self trim flange

Catalog Number **126**

126	Lens	Finish	Options
	12631 - Tempered Clear Lens	SCL	PF
	12634 - Tempered Prismatic Lens (C73 Pattern)	SGO	WL
	12636 - Fresnel Lens	WHT	

Finish (Factory Standard)	
SCL	Specular Clear "Alzak" Splay with White Flange
SGO	Specular Gold "Alzak" Splay with White Flange
WHT	White Splay with White Flange
Options ▲	
PF	High Polished Flange
WL	Sealed Lens and Gasketed Flange

Features

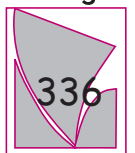
Manufactured and Listed to UL 1598, ETL and CSA standards.
Suitable for Damp Locations
Wet location under covered ceiling



▲ See Options and Finishes pages for a list of additional finishes and equipment.

Vantage reserves the right to change components, finishes or design details in any manner which does not alter the installed appearance or reduce performance and intended function.

Vantage



76 Community Avenue Plainfield, CT 06374
voice (860) 564.4512 fax (860) 564.4854
www.vantageitg.com

06/07

Luminaires