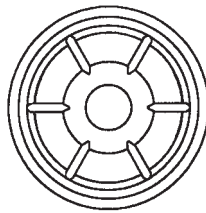
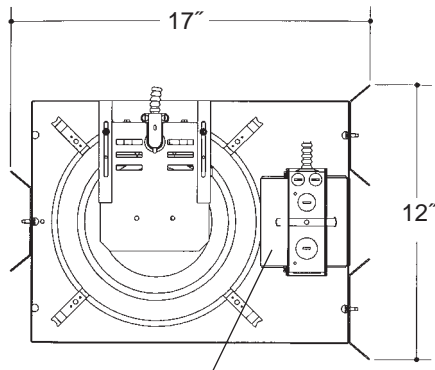


# Architectural Grade

Job Name \_\_\_\_\_

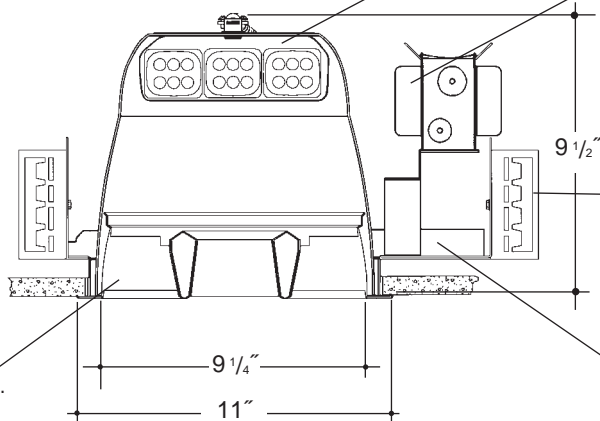
Type \_\_\_\_\_



## 10" H.F. 3 LT TURBO LOUVER

Electronic ballasts, Class P, 50/60 HZ-120/277, Programmed Start, thermally protected, 98% Power Factor, 1.00 Ballast Factor, <10% THD, Class A sound rated. Minimum starting temperature -18°C/0°F.  
Magnetic ballasts, High Power Factor, thermally protected, minimum starting temperature 10°C/50°F. *UL Listed* component.

Heavy gauge spun aluminum parabolic turbo louver with self trimming white painted flange. Polished Flange available.



Aluminum socket housing with zinc plated steel quick assembly hardware. *UL Listed* socket and electrical connectors.

Heavy gauge electrogalvanized steel junction box, prewired and grounded with easy access from below, listed for through branch circuit wiring.

Adjustable height electrogalvanized plated steel mounting ears with cutouts for various mounting methods. Standard bars (included) are innovative and incorporate rigid formed cross sections, joist positioning tabs, integral nails, auxiliary nailholes, T-Bar slots and holes for locking bars to T-Bar using #8 self-tapping screws (by others). Bars extend 14"-24". Ears will also accept Caddy Bar #520 for fast installation in T-Bar ceilings, bars extend 27".

Electrogalvanized plated steel frame.

### Rough in Kit – 10" Horizontal Fluorescent 3-Lamp (Compact Fluorescent Triple\*\*\*\* or Quad Tube)

Catalog Number **A10HF3**

A10HF3	Wattage	Ballast	Voltage	Options
	42W MAX. PLT	E	1	EM
	32W PLT	H	2	F
	26W PLT, DTT	DA	3	R
		DL	4	PR

- Ballast
- E** Electronic (4 Pin Lamp)
  - H** High Power Magnetic (2 Pin Lamp)
  - DA** Dimming - Advance Mark X (4 Pin Lamp)
  - DL** Dimming - Lutron (4 Pin Lamp)
- Voltage
- 1** 120 Volts
  - 2** 277 Volts
  - 3** 347 Volts (Electronic Ballast only)
  - 4** 208 Volts (Electronic Ballast Only)
- Options ▲
- EM** Emergency Battery
  - F** Fused
  - R** Remodeler
  - PR** Plaster Ring

\*\*\*\*Triple Tube – Philips or Osram  
Electronic Multi-Tap Ballast 120V Thru 277V Factory Standard

### Finishing Kit – 10" Horizontal Fluorescent Parabolic Turbo Louver

Catalog Number **10676**

10676	Finish	Options
	SCL	PF
	SGO	
	WHT	

- Finish (Factory Standard)
- SCL** Specular Clear "Alzak" with White Flange
  - SGO** Specular Gold "Alzak" with White Flange
  - WHT** White Reflector with White Flange

- Options ▲
- PF** High Polished Flange

#### Features

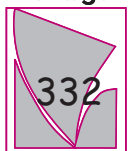
Manufactured and Listed to UL 1598, ETL and CSA standards.  
Suitable for Damp Locations  
Wet location under covered ceiling



▲ See Options and Finishes pages for a list of additional finishes and equipment.

Vantage reserves the right to change components, finishes or design details in any manner which does not alter the installed appearance or reduce performance and intended function.

Vantage



Luminaires

76 Community Avenue Plainfield, CT 06374  
voice (860)564.4512 fax (860)564.4854  
www.vantageitg.com

06/07