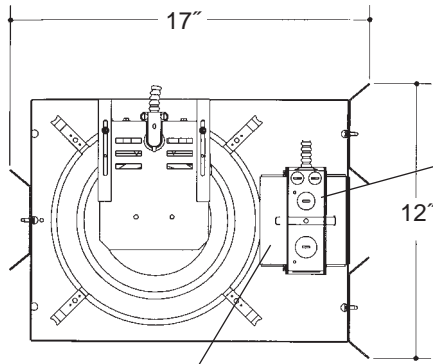


# Architectural Grade

Job Name \_\_\_\_\_

Type \_\_\_\_\_

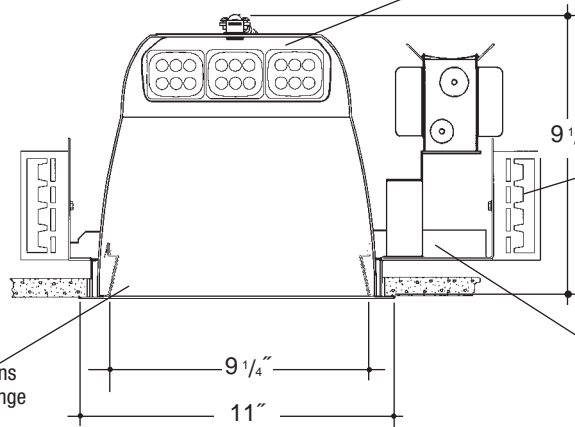


Heavy gauge electrogalvanized steel junction box, prewired and grounded with easy access from below, listed for through branch circuit wiring.

**10" H.F. 3 LT LENSED**

Aluminum socket housing with zinc plated steel quick assembly hardware. *UL Listed* socket and electrical connectors.

Electronic ballasts, Class P, 50/60 HZ-120/277, Programmed Start, thermally protected, 98% Power Factor, 1.00 Ballast Factor, <10% THD, Class A sound rated. Minimum starting temperature -18°C/0°F.  
Magnetic ballasts, High Power Factor, thermally protected, minimum starting temperature 10°C/50°F.  
*UL Listed* component.



Adjustable height electrogalvanized plated steel mounting ears with cutouts for various mounting methods. Standard bars (included) are innovative and incorporate rigid formed cross sections, joist positioning tabs, integral nails, auxiliary nailholes, T-Bar slots and holes for locking bars to T-Bar using #8 self-tapping screws (by others). Bars extend 14"-24". Ears will also accept Caddy Bar #520 for fast installation in T-Bar ceilings, bars extend 27".

Heavy gauge spun aluminum low iridescent reflector with self trimming flanged splay/lens holder and white painted flange. Polished Flange available. Safety chain provided

Electrogalvanized plated steel frame.

## Rough in Kit – 10" Horizontal Fluorescent 3-Lamp (Compact Fluorescent Triple\*\*\*\* or Quad Tube)

Catalog Number **A10HF3**

A10HF3	Wattage	Ballast	Voltage	Options
	26W MAX. PLT, DTT	E H DA DL	1 2 3 4	EM F R PR

Ballast	E	Electronic	(4 Pin Lamp)
	H	High Power Magnetic	(2 Pin Lamp)
	DA	Dimming - Advance Mark X	(4 Pin Lamp)
	DL	Dimming - Lutron	(4 Pin Lamp)
Voltage	1	120 Volts	
	2	277 Volts	
	3	347 Volts (Electronic Ballast only)	
	4	208 Volts (Electronic Ballast Only)	
Options ▲	EM	Emergency Battery	
	F	Fused	
	R	Remodeler	
	PR	Plaster Ring	

\*\*\*\*Triple Tube – Philips or Osram

Electronic Multi-Tap Ballast 120V Thru 277V Factory Standard

## Finishing Kit – 10" Horizontal Fluorescent Lensed Reflector – clear reflector standard with self trim flange

Catalog Number **106**

106	Lens	Finish	Options
	10631 - Tempered Clear Lens 10634 - Tempered Prismatic Lens (C73 Pattern) 10636 - Fresnel Len 10638 - Flat Alba Lens 10639 - Drop Opal Lens	SCL SGO WHT	PF WL

Finish (Factory Standard)	
SCL	Specular Clear "Alzak" Splay with White Flange
SGO	Specular Gold "Alzak" Splay with White Flange
WHT	White Splay with White Flange
Options ▲	
PF	High Polished Flange
WL	Sealed Lens and Gasketed Flange

### Features

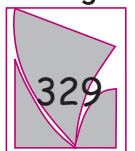
Manufactured and Listed to UL 1598, ETL and CSA standards.  
Suitable for Damp Locations  
Wet location under covered ceiling



▲ See Options and Finishes pages for a list of additional finishes and equipment.

Vantage reserves the right to change components, finishes or design details in any manner which does not alter the installed appearance or reduce performance and intended function.

Vantage



Luminaires

76 Community Avenue Plainfield, CT 06374  
voice (860)564.4512 fax (860)564.4854  
www.vantageitg.com

06/07