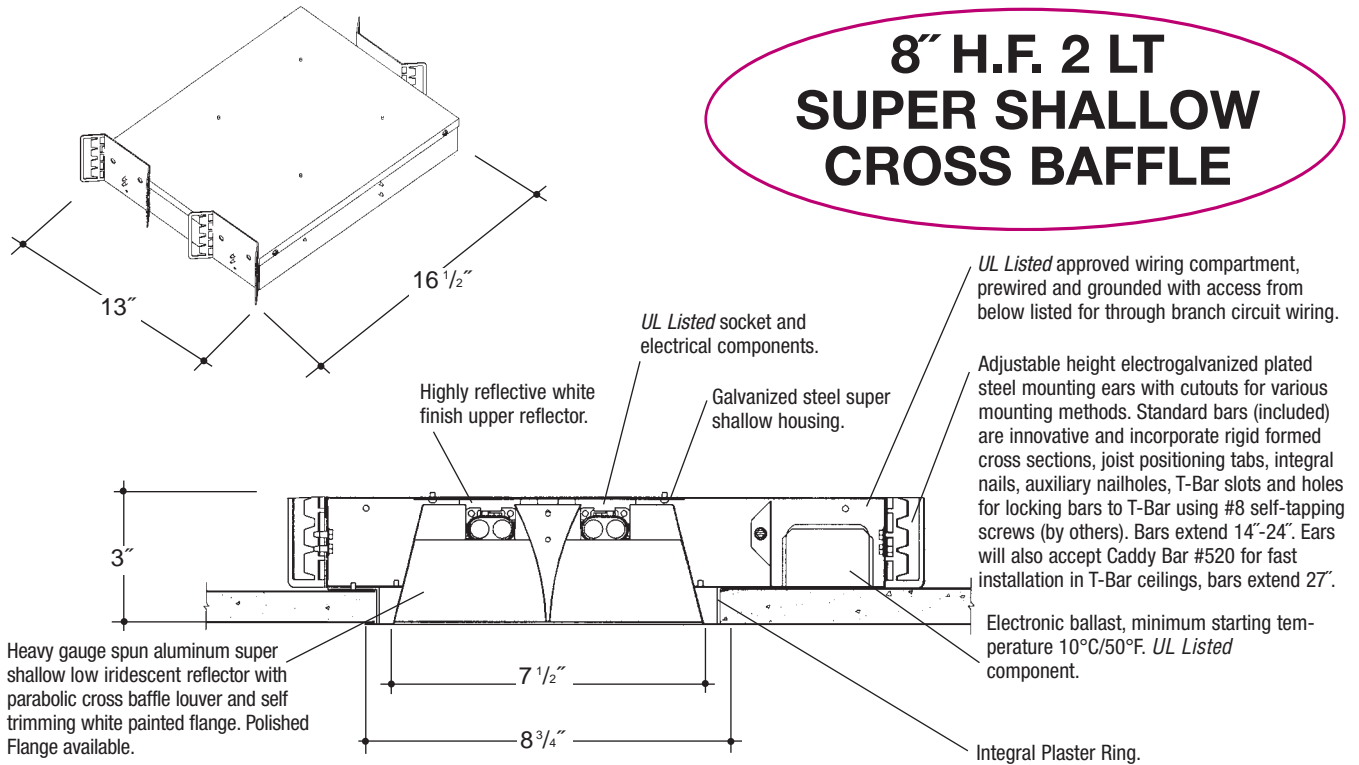


Architectural Grade

Job Name _____

Type _____



Rough in Kit – 8" Horizontal Fluorescent Super Shallow 2-Lamp (Compact Fluorescent 13 Watt Twin Tube)

Catalog Number **ASS8HF213H** _____

ASS8HF213H

Wattage

Ballast

Voltage

Options

13W MAX. TT●●●

H

1

2

REM

F

Ballast	H	High Power Magnetic	(2 Pin Lamp)
Voltage	1	120 Volts	
	2	277 Volts	
Options ▲	REM	Remote Emergency Battery	
	F	Fused	

●●● 13 Watt Twin Tube

Finishing Kit – 8" Horizontal Fluorescent Super Shallow Parabolic Cross Baffle Louver

Catalog Number **ASS8635** _____

ASS8635

Finish

Options

SCL

SGO

WHT

PF

Finish (Factory Standard)

SCL

Specular Clear "Alzak" with White Flange

SGO

Specular Gold "Alzak" with White Flange

WHT

White Reflector with White Flange

Options ▲

PF

High Polished Flange

Features

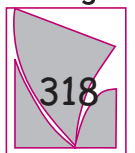
Manufactured and Listed to UL 1598, ETL and CSA standards.
Suitable for Damp Locations
Wet location under covered ceiling



▲ See Options and Finishes pages for a list of additional finishes and equipment.

Vantage reserves the right to change components, finishes or design details in any manner which does not alter the installed appearance or reduce performance and intended function.

Vantage



76 Community Avenue Plainfield, CT 06374
voice (860)564.4512 fax (860)564.4854
www.vantageitg.com

06/07

Luminaires