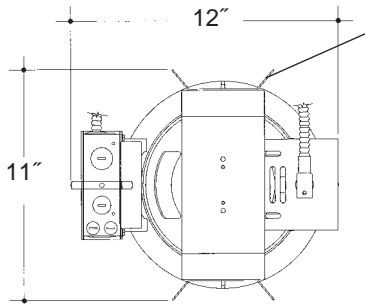


Architectural Grade

Job Name _____

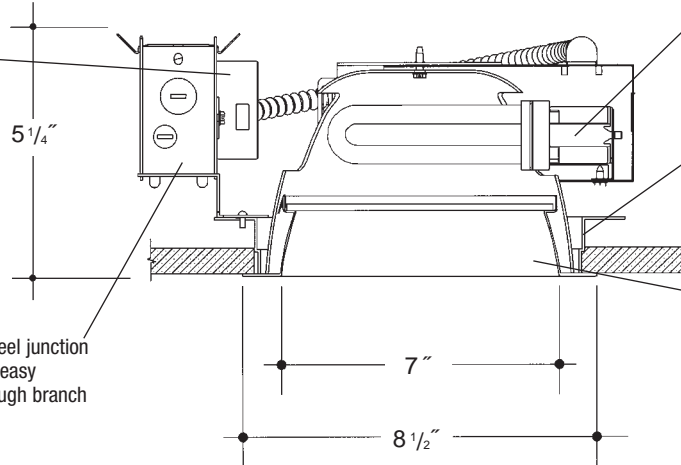
Type _____



Adjustable height electrogalvanized plated steel mounting ears with cutouts for various mounting methods. Standard bars (included) are innovative and incorporate rigid formed cross sections, joist positioning tabs, integral nails, auxiliary nailholes, T-Bar slots and holes for locking bars to T-Bar using #8 self-tapping screws (by others). Bars extend 14"-24". Ears will also accept Caddy Bar #520 for fast installation in T-Bar ceilings, bars extend 27".

8" H.F. 2 LT SHALLOW LENSED TRIPLE TUBE

Electronic ballast, Class P, 50/60 HZ-120/277, Programmed Start, thermally protected, 98% Power Factor, 1.00 Ballast Factor, <10% THD, Class A sound rated. Minimum starting temperature -18°C/0°F. *UL Listed* component.



Heavy gauge electrogalvanized steel junction box, prewired and grounded with easy access from below, listed for through branch circuit wiring.

Aluminum socket housing. *UL Listed* socket and electrical connectors.

Aluminum plaster ring fastened to the spun aluminum frame and reflector mounting strap.

Heavy gauge spun aluminum low iridescent reflector with self trimming flanged splay/lens holder and white painted flange. Polished Flange available. Safety chain provided.

Rough in Kit – 8" Horizontal Fluorescent 2-Lamp (Compact Fluorescent Triple Tube)

Catalog Number **AS8HF2**

AS8HF2	Wattage	Ballast	Voltage	Options
	42W MAX. PLT●●	E	1	EM
	32W PLT	DA	2	F
	26W PLT	DL	3	PR
	18W PLT		4	

Ballast		
E	Electronic	(4 Pin Lamp)
DA	Dimming - Advance Mark X	(4 Pin Lamp)
DL	Dimming - Lutron	(4 Pin Lamp)
Voltage		
1	120 Volts	
2	277 Volts	
3	347 Volts (Electronic Ballast only)	
4	208 Volts (Electronic Ballast only)	
Options ▲		
EM	Emergency Battery	
F	Fused	
PR	Plaster Ring	

●●1-Lamp only for 42W Triple Tube

Electronic Multi-Tap Ballast 120V Thru 277V Factory Standard

Finishing Kit – 8" Horizontal Fluorescent Shallow Lensed Reflector – clear reflector standard with self trim flange

Catalog Number **83**

83	Lens	Finish	Options
	8391 - Tempered Clear Lens	SCL	PF
	8394 - Tempered Prismatic Lens (C73 Pattern)	SGO	WL
	8396 - Fresnel Lens	WHT	
	8398 - Flat Alba Lens		

Finish (Factory Standard)

SCL	Specular Clear "Alzak" Splay with White Flange
SGO	Specular Gold "Alzak" Splay with White Flange
WHT	White Splay with White Flange

Options ▲

PF	High Polished Flange
WL	Sealed Lens and Gasketed Flange

Features

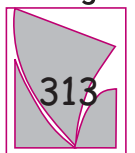
Manufactured and Listed to UL 1598, ETL and CSA standards. Suitable for Damp Locations Wet location under covered ceiling



▲ See Options and Finishes pages for a list of additional finishes and equipment.

Vantage reserves the right to change components, finishes or design details in any manner which does not alter the installed appearance or reduce performance and intended function.

Vantage



Luminaires

76 Community Avenue Plainfield, CT 06374
 voice (860)564.4512 fax (860)564.4854
 www.vantageitg.com

09/07