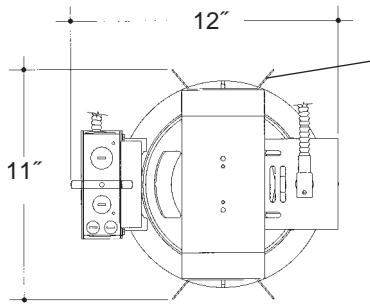


# Architectural Grade

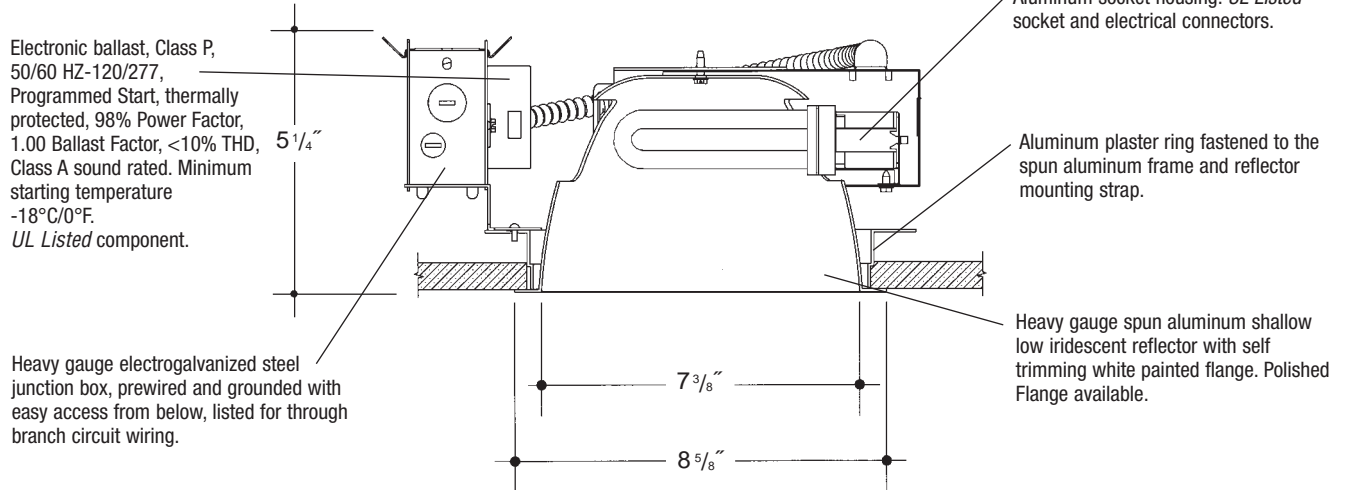
Job Name \_\_\_\_\_

Type \_\_\_\_\_



Adjustable height electrogalvanized plated steel mounting ears with cutouts for various mounting methods. Standard bars (included) are innovative and incorporate rigid formed cross sections, joist positioning tabs, integral nails, auxiliary nailholes, T-Bar slots and holes for locking bars to T-Bar using #8 self-tapping screws (by others). Bars extend 14"-24". Ears will also accept Caddy Bar #520 for fast installation in T-Bar ceilings, bars extend 27".

## 8" H.F. 2 LT SHALLOW OPEN TRIPLE TUBE



### Rough in Kit – 8" Horizontal Fluorescent 2-Lamp (Compact Fluorescent Triple Tube)

Catalog Number **AS8HF2**

AS8HF2	Wattage	Ballast	Voltage	Options
	42W MAX. PLT	E	1	EM
	32W PLT	DA	2	F
	26W PLT	DL	3	PR
	18W PLT		4	EMI

Ballast		
<b>E</b>	Electronic	(4 Pin Lamp)
<b>DA</b>	Dimming - Advance Mark X	(4 Pin Lamp)
<b>DL</b>	Dimming - Lutron	(4 Pin Lamp)
Voltage		
<b>1</b>	120 Volts	
<b>2</b>	277 Volts	
<b>3</b>	347 Volts (Electronic Ballast only)	
<b>4</b>	208 Volts (Electronic Ballast only)	
Options ▲		
<b>EM</b>	Emergency Battery	
<b>F</b>	Fused	
<b>PR</b>	Plaster Ring	
<b>EMI</b>	Internal Mounted Emergency Test Switch	

Electronic Multi-Tap Ballast 120V Thru 277V Factory Standard

### Finishing Kit – 8" Horizontal Fluorescent Shallow Open Reflector

Catalog Number **8301**

8301	Finish	Options
	SCL	PF
	SGO	
	WHT	

Finish (Factory Standard)	
<b>SCL</b>	Specular Clear "Alzak" with White Flange
<b>SGO</b>	Specular Gold "Alzak" with White Flange
<b>WHT</b>	White Reflector with White Flange
Options ▲	
<b>PF</b>	High Polished Flange

### Features

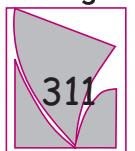
Manufactured and Listed to UL 1598, ETL and CSA standards. Suitable for Damp Locations Wet location under covered ceiling



▲ See Options and Finishes pages for a list of additional finishes and equipment.

Vantage reserves the right to change components, finishes or design details in any manner which does not alter the installed appearance or reduce performance and intended function.

Vantage



76 Community Avenue Plainfield, CT 06374  
 voice (860)564.4512 fax (860)564.4854  
 www.vantageitg.com

09/07

Luminaires