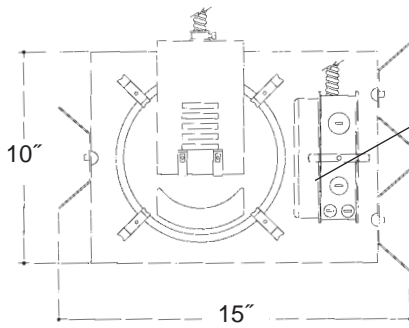


Architectural Grade

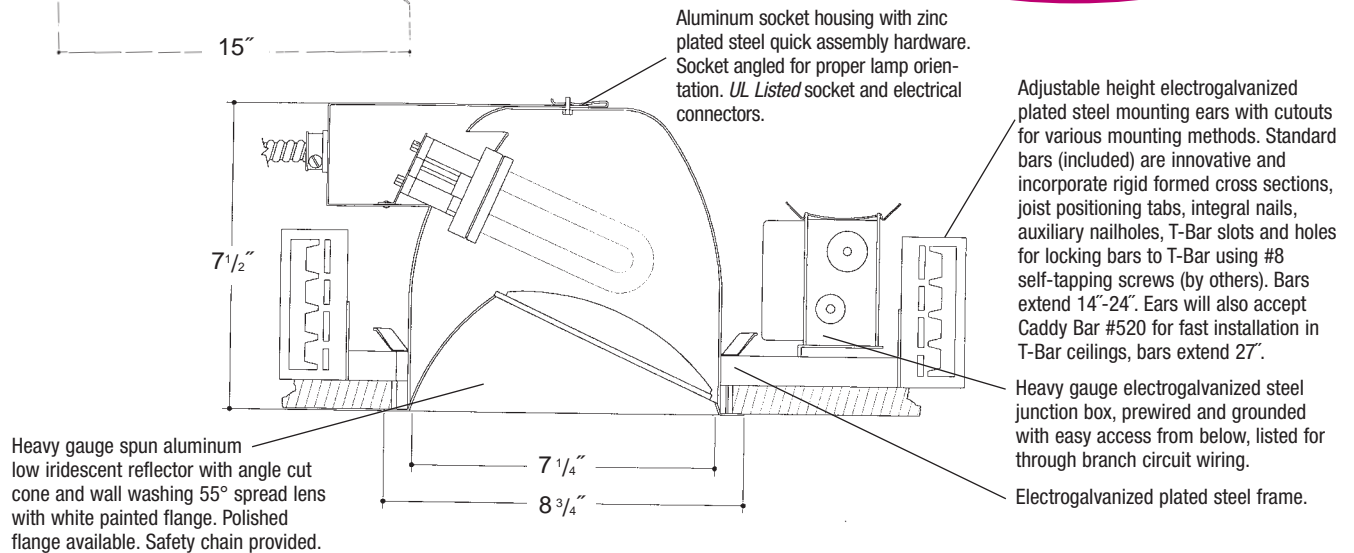
Job Name _____

Type _____



Electronic ballast, Class P, 50/60 HZ-120/277, Programmed Start, thermally protected, 98% Power Factor, 1.00 Ballast Factor, <10% THD, Class A sound rated. Minimum starting temperature -18°C/0°F. *UL Listed* component.

8" H.F. 2 LT SPREAD LENS WALL WASH TRIPLE TUBE



Rough in Kit – 8" Angled Horizontal Fluorescent 2-Lamp (Compact Fluorescent Triple Tube)

Catalog Number **A8AHF2**

A8AHF2

Wattage

Ballast

Voltage

Options

42W MAX. PLT
32W PLT
26W PLT
18W PLT

E
DA
DL

1
2
3
4

EM
F
R
PR

Ballast

E Electronic (4 Pin Lamp)
DA Dimming - Advance Mark X (4 Pin Lamp)
DL Dimming - Lutron (4 Pin Lamp)

Voltage

1 120 Volts
2 277 Volts
3 347 Volts (Electronic Ballast only)
4 208 Volts (Electronic Ballast only)

Options ▲

EM Emergency Battery
F Fused
R Remodeler
PR Plaster Ring

Electronic Multi-Tap Ballast 120V Thru 277V Factory Standard

Finishing Kit – 8" Horizontal Fluorescent Angle Cut "Alzak" Cone 55° Spread Lens Wall Washer

Catalog Number **8639**

8639

Finish

Options

SCL
SGO
WHT

PF

Finish (Factory Standard)

SCL Specular Clear "Alzak" with White Flange
SGO Specular Gold "Alzak" with White Flange
WHT White Reflector with White Flange

Options ▲

PF High Polished Flange

Features

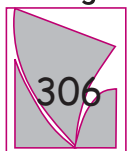
Manufactured and Listed to UL 1598, ETL and CSA standards. Suitable for Damp Locations Wet location under covered ceiling



▲ See Options and Finishes pages for a list of additional finishes and equipment.

Vantage reserves the right to change components, finishes or design details in any manner which does not alter the installed appearance or reduce performance and intended function.

Vantage



Luminaires

76 Community Avenue Plainfield, CT 06374
voice (860)564.4512 fax (860)564.4854
www.vantageitg.com

06/07