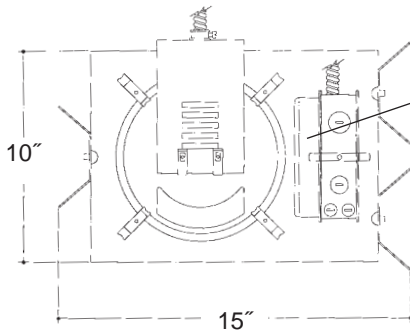


# Architectural Grade

Job Name \_\_\_\_\_

Type \_\_\_\_\_

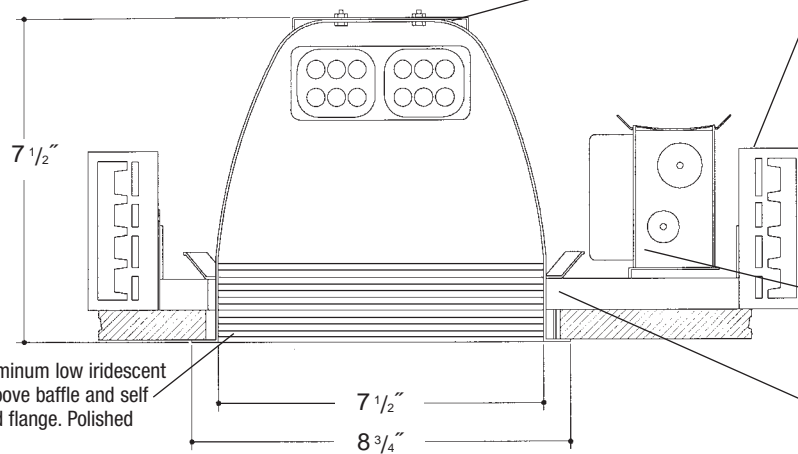


Electronic ballast, Class P, 50/60 HZ-120/277, Programmed Start, thermally protected, 98% Power Factor, 1.00 Ballast Factor, <10% THD, Class A sound rated. Minimum starting temperature -18°C/0°F. *UL Listed* component.

## 8" H.F. 2 LT OPEN BAFFLED TRIPLE TUBE

Aluminum socket housing with zinc plated steel quick assembly hardware. *UL Listed* socket and electrical connectors.

Adjustable height electrogalvanized plated steel mounting ears with cutouts for various mounting methods. Standard bars (included) are innovative and incorporate rigid formed cross sections, joist positioning tabs, integral nails, auxiliary nailholes, T-Bar slots and holes for locking bars to T-Bar using #8 self-tapping screws (by others). Bars extend 14"-24". Ears will also accept Caddy Bar #520 for fast installation in T-Bar ceilings, bars extend 27".



Heavy gauge spun aluminum low iridescent reflector with multi-groove baffle and self-trimming white painted flange. Polished flange available.

Heavy gauge electrogalvanized steel junction box, prewired and grounded with easy access from below, listed for through branch circuit wiring.

Electrogalvanized plated steel frame.

### Rough in Kit – 8" Horizontal Fluorescent 2-Lamp (Compact Fluorescent Triple Tube)

Catalog Number **A8HF2**

**A8HF2**

Wattage	Ballast	Voltage	Options
57W MAX. DT••	E	1	EM
42W PLT	DA	2	F
32W PLT	DL	3	R
26W PLT		4	PR
18W PLT			EMI

Ballast		
<b>E</b>	Electronic	(4 Pin Lamp)
<b>DA</b>	Dimming - Advance Mark X	(4 Pin Lamp)
<b>DL</b>	Dimming - Lutron	(4 Pin Lamp)
Voltage		
<b>1</b>	120 Volts	
<b>2</b>	277 Volts	
<b>3</b>	347 Volts (Electronic Ballast only)	
<b>4</b>	208 Volts (Electronic Ballast only)	
Options ▲		
<b>EM</b>	Emergency Battery	
<b>F</b>	Fused	
<b>R</b>	Remodeler	
<b>PR</b>	Plaster Ring	
<b>EMI</b>	Internal Mounted Emergency Test Switch	

••1-Lamp only for 57W DT

Electronic Multi-Tap Ballast 120V Thru 277V Factory Standard

### Finishing Kit – 8" Horizontal Fluorescent Open Baffled Reflector

Catalog Number **8651**

**8651**

Finish	Options
SCL/BL	PF
SGO/BL	
SCL/WH	
SGO/WH	
WHT/WH	
WHT/BL	

Finish (Factory Standard)

<b>SCL/BL</b>	Specular Clear "Alzak" with White Flange and Black Baffle
<b>SGO/BL</b>	Specular Gold "Alzak" with White Flange and Black Baffle
<b>SCL/WH</b>	Specular Clear "Alzak" with White Flange and White Baffle
<b>SGO/WH</b>	Specular Gold "Alzak" with White Flange and White Baffle
<b>WHT/WH</b>	White Reflector with White Flange and White Baffle
<b>WHT/BL</b>	White Reflector with White Flange and Black Baffle

Options ▲

<b>PF</b>	High Polished Flange
-----------	----------------------

### Features

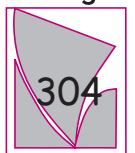
Manufactured and Listed to UL 1598, ETL and CSA standards. Suitable for Damp Locations Wet location under covered ceiling



▲ See Options and Finishes pages for a list of additional finishes and equipment.

Vantage reserves the right to change components, finishes or design details in any manner which does not alter the installed appearance or reduce performance and intended function.

Vantage



Luminaires

76 Community Avenue Plainfield, CT 06374  
 voice (860)564.4512 fax (860)564.4854  
 www.vantageitg.com

06/07