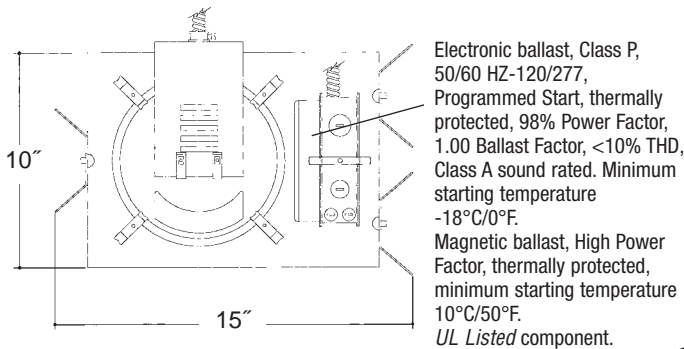


Architectural Grade

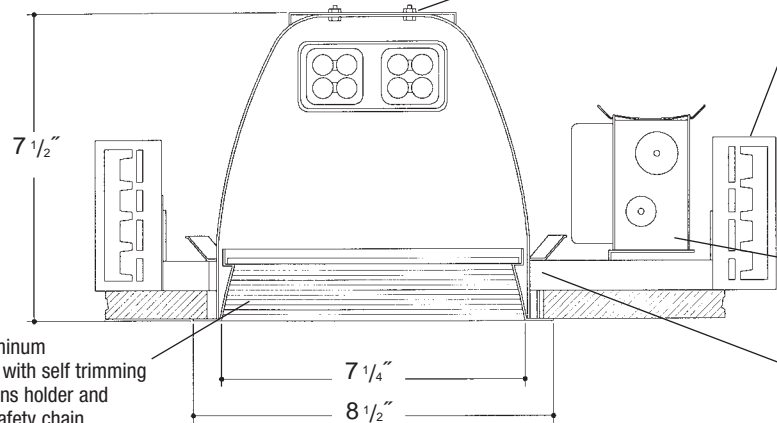
Job Name _____

Type _____



8" H.F. LENSED BAFFLED

Aluminum socket housing with zinc plated steel quick assembly hardware.
UL Listed socket and electrical connectors.



Adjustable height electrogalvanized plated steel mounting ears with cutouts for various mounting methods. Standard bars (included) are innovative and incorporate rigid formed cross sections, joist positioning tabs, integral nails, auxiliary nailholes, T-Bar slots and holes for locking bars to T-Bar using #8 self-tapping screws (by others). Bars extend 14"-24". Ears will also accept Caddy Bar #520 for fast installation in T-Bar ceilings, bars extend 27".

Heavy gauge spun aluminum low iridescent reflector with self trimming flanged baffled splay/lens holder and white painted flange. Safety chain provided.

Heavy gauge electrogalvanized steel junction box, prewired and grounded with easy access from below, listed for through branch circuit wiring.

Electrogalvanized plated steel frame.

Rough in Kit – 8" Horizontal Fluorescent 2-Lamp (Compact Fluorescent Twin or Quad Tube)

Catalog Number **A8HF2**

A8HF2	Wattage	Ballast	Voltage	Options
	42W MAX. PLT●●●	E	1	EM
	32W PLT●●●	H	2	F
	26W DTT, PLT	DA	3	R
	18W DTT, PLT	DL	4	PR
	13*W TT, DTT			

Ballast		
E	Electronic	(4 Pin Lamp)
H	High Power Factor	(2 Pin Lamp)
DA	Dimming - Advance Mark X	(4 Pin Lamp)
DL	Dimming - Lutron	(4 Pin Lamp)
*	13 Watt Advance Mark VII Only	
Voltage		
1	120 Volts	
2	277 Volts	
3	347 Volts (Electronic Ballast only)	
4	208 Volts (Electronic Ballast Only)	
Options ▲		
EM	Emergency Battery	
F	Fused	
R	Remodeler	
PR	Plaster Ring	

●●1-Lamp only for 32W and 42W Triple Tube
1-Lamp -- Replace A8HF2 with A8HF1
Electronic Multi-Tap Ballast 120V Thru 277V Factory Standard

Finishing Kit – 8" Horizontal Fluorescent Lensed Reflector – clear reflector standard with Black or White Baffled Splay

Catalog Number **86**

86	Lens	Finish	Options
	8621 - Tempered Clear Lens	SCL/BL	WL
	8624 - Tempered Prismatic Lens (C73 Pattern)	SCL/WH	
	8626 - Fresnel Lens	WHT/WH	
		WHT/BL	

Finish (Factory Standard)	
SCL/BL	Specular Clear "Alzak" with Black Baffled Splay
SCL/WH	Specular Clear "Alzak" with White Baffled Splay
WHT/WH	White Reflector with White Baffled Splay
WHT/BL	White Reflector with Black Baffled Splay

Options ▲
WL Sealed Lens and Gasketed Flange

Features

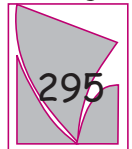
Manufactured and Listed to UL 1598, ETL and CSA standards.
Suitable for Damp Locations
Wet location under covered ceiling



▲ See Options and Finishes pages for a list of additional finishes and equipment.

Vantage reserves the right to change components, finishes or design details in any manner which does not alter the installed appearance or reduce performance and intended function.

Vantage



76 Community Avenue Plainfield, CT 06374
voice (860)564.4512 fax (860)564.4854
www.vantageitg.com

06/07

Luminaires