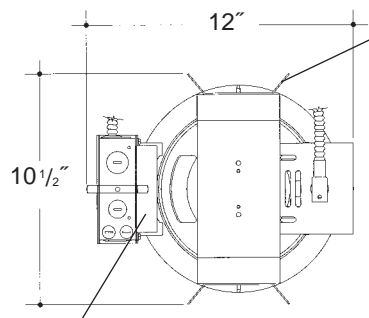


Job Name _____

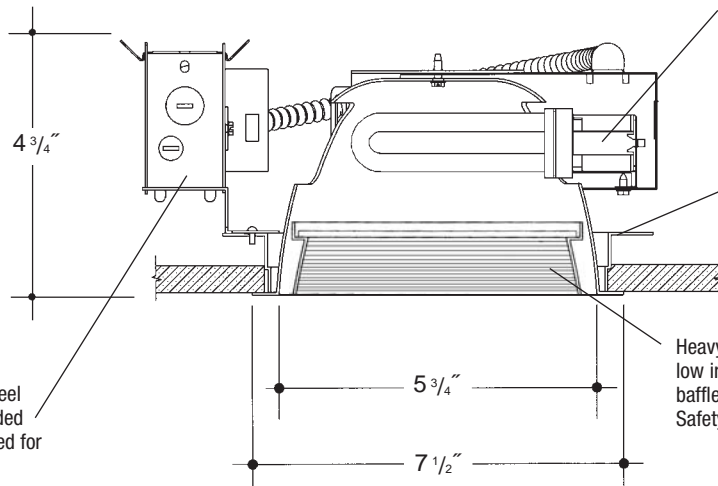
Type _____



Adjustable height electrogalvanized plated steel mounting ears with cutouts for various mounting methods. Standard bars (included) are innovative and incorporate rigid formed cross sections, joist positioning tabs, integral nails, auxiliary nailholes, T-Bar slots and holes for locking bars to T-Bar using #8 self-tapping screws (by others). Bars extend 14"-24". Ears will also accept Caddy Bar #520 for fast installation in T-Bar ceilings, bars extend 27".

7" H.F. SHALLOW LENSED BAFFLED TRIPLE TUBE

Electronic ballast, Class P, 50/60 HZ-120/277, Programmed Start, thermally protected, 98% Power Factor, 1.00 Ballast Factor, <10% THD, Class A sound rated. Minimum starting temperature -18°C/0°F. *UL Listed* component.



Heavy gauge electrogalvanized steel junction box, prewired and grounded with easy access from below, listed for through branch circuit wiring.

Aluminum socket housing with zinc plated steel quick assembly hardware. *UL Listed* socket and electrical connectors.

Aluminum plaster ring fastened to the spun aluminum frame and reflector mounting strap.

Heavy gauge spun aluminum shallow low iridescent reflector with self trimming flanged baffled splay/lens holder and white painted flange. Safety chain provided.

Rough in Kit – 7" Horizontal Fluorescent 2-Lamp (Compact Fluorescent Triple Tube)

Catalog Number **AS7HF2**

AS7HF2	Wattage	Ballast	Voltage	Options
	42W MAX. PLT●●●	E	1	EM
	32W PLT●●●	DA	2	F
	26W PLT	DL	3	
	18W PLT		4	

Ballast		
E	Electronic	(4 Pin Lamp)
DA	Dimming - Advance Mark X	(4 Pin Lamp)
DL	Dimming - Lutron	(4 Pin Lamp)
Voltage		
1	120 Volts	
2	277 Volts	
3	347 Volts (Electronic Ballast only)	
4	208 Volts (Electronic Ballast Only)	
Options ▲		
EM	Emergency Battery	
F	Fused	

●●●1-Lamp – MAX. for 32W and 42W Triple Tube

1-Lamp – Replace A7HF2 with A7HF1

Electronic Multi-Tap Ballast 120V Thru 277V Factory Standard

Finishing Kit – 7" Horizontal Fluorescent Shallow Lensed Reflector – clear reflector standard with White or Black Baffle Splay

Catalog Number **76**

76	Lens	Finish	Options
	7631 - Tempered Clear Lens	SCL/BL	WL
	7634 - Tempered Prismatic Lens (C73 Pattern)	SCL/WH	
	7636 - Fresnel Lens	WHT/WH	
	7638 - Flat Alba Lens	WHT/BL	
	7639 - Drop Opal Lens		

Finish (Factory Standard)	
SCL/BL	Specular Clear "Alzak" with Black Baffled Splay
SCL/WH	Specular Clear "Alzak" with White Baffled Splay
WHT/WH	White Reflector with White Baffled Splay
WHT/BL	White Reflector with Black Baffled Splay
Options ▲	
WL	Sealed Lens and Gasketed Flange

Features

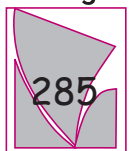
Manufactured and Listed to UL 1598, ETL and CSA standards. Suitable for Damp Locations Wet location under covered ceiling



▲ See Options and Finishes pages for a list of additional finishes and equipment.

Vantage reserves the right to change components, finishes or design details in any manner which does not alter the installed appearance or reduce performance and intended function.

Vantage



76 Community Avenue Plainfield, CT 06374
voice (860)564.4512 fax (860)564.4854
www.vantageitg.com

09/07

Luminaires