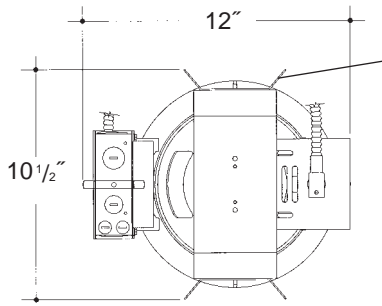


Architectural Grade

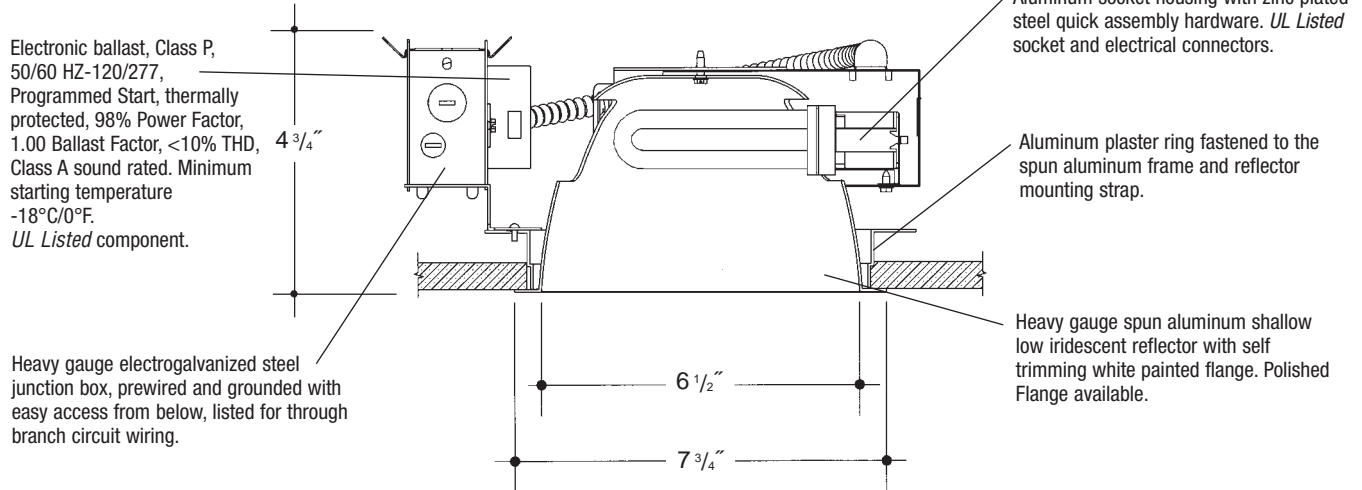
Job Name _____

Type _____



Adjustable height electrogalvanized plated steel mounting ears with cutouts for various mounting methods. Standard bars (included) are innovative and incorporate rigid formed cross sections, joist positioning tabs, integral nails, auxiliary nailholes, T-Bar slots and holes for locking bars to T-Bar using #8 self-tapping screws (by others). Bars extend 14"-24". Ears will also accept Caddy Bar #520 for fast installation in T-Bar ceilings, bars extend 27".

7" H.F. SHALLOW OPEN TRIPLE TUBE



Rough in Kit – 7" Horizontal Fluorescent 2-Lamp (Compact Fluorescent Triple Tube)

Catalog Number **AS7HF2**

AS7HF2	Wattage	Ballast	Voltage	Options
	42W MAX. PLT●●●	E	1	EM
	32W PLT●●●	DA	2	F
	26W DTT, PLT	DL	3	EMI
	18W DTT, PLT		4	
	13"W TT, DTT			

Ballast		
E	Electronic	(4 Pin Lamp)
DA	Dimming - Advance Mark X	(4 Pin Lamp)
DL	Dimming - Lutron	(4 Pin Lamp)
*	13 Watt Advance Mark VII Only	
Voltage		
1	120 Volts	
2	277 Volts	
3	347 Volts (Electronic Ballast only)	
4	208 Volts (Electronic Ballast Only)	
Options ▲		
EM	Emergency Battery	
F	Fused	
EMI	Internal Mounted Emergency Test Switch	

●●●1-Lamp only for 32W and 42W Triple Tube

1-Lamp – Replace A7HF2 with A7HF1

Electronic Multi-Tap Ballast 120V Thru 277V Factory Standard

Finishing Kit – 7" Horizontal Fluorescent Shallow Open Reflector

Catalog Number **7630**

7630	Finish	Options
	SCL	PF
	SGO	
	WHT	

Finish (Factory Standard)

SCL	Specular Clear "Alzak" with White Flange
SGO	Specular Gold "Alzak" with White Flange
WHT	White Reflector with White Flange

Options ▲

PF	High Polished Flange
-----------	----------------------

Features

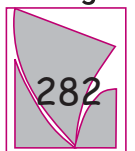
Manufactured and Listed to UL 1598, ETL and CSA standards. Suitable for Damp Locations Wet location under covered ceiling



▲ See Options and Finishes pages for a list of additional finishes and equipment.

Vantage reserves the right to change components, finishes or design details in any manner which does not alter the installed appearance or reduce performance and intended function.

Vantage



Luminaires

76 Community Avenue Plainfield, CT 06374
 voice (860)564.4512 fax (860)564.4854
 www.vantageitg.com

09/07