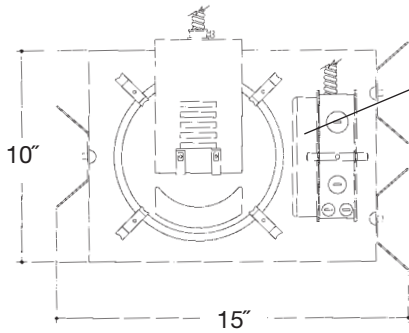


Architectural Grade

Job Name _____

Type _____

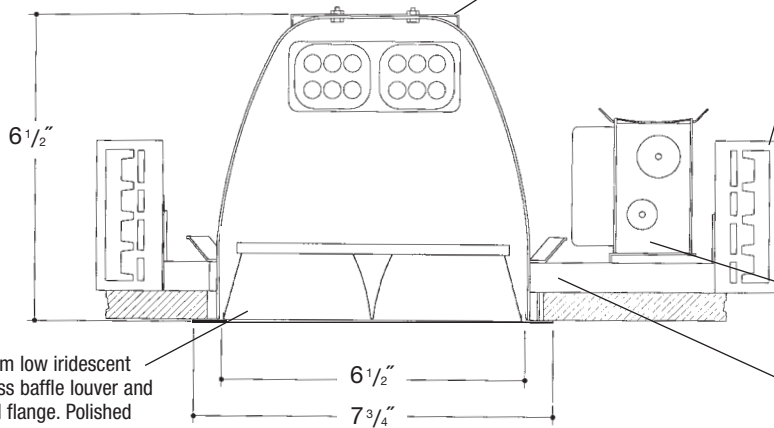


Electronic ballast, Class P, 50/60 HZ-120/277, Programmed Start, thermally protected, 98% Power Factor, 1.00 Ballast Factor, <10% THD, Class A sound rated. Minimum starting temperature -18°C/0°F.
Magnetic ballast, High Power Factor, thermally protected, minimum starting temperature 10°C/50°F. *UL Listed* component.

7" H.F. CROSS BAFFLE

Aluminum socket housing with zinc plated steel quick assembly hardware. *UL Listed* socket and electrical connectors.

Adjustable height electrogalvanized plated steel mounting ears with cutouts for various mounting methods. Standard bars (included) are innovative and incorporate rigid formed cross sections, joist positioning tabs, integral nails, auxiliary nailholes, T-Bar slots and holes for locking bars to T-Bar using #8 self-tapping screws (by others). Bars extend 14"-24". Ears will also accept Caddy Bar #520 for fast installation in T-Bar ceilings, bars extend 27".



Heavy gauge spun aluminum low iridescent reflector with parabolic cross baffle louver and self trimming white painted flange. Polished Flange available.

Heavy gauge electrogalvanized steel junction box, prewired and grounded with easy access from below, listed for through branch circuit wiring.
Electrogalvanized plated steel frame.

Rough in Kit – 7" Horizontal Fluorescent 2-Lamp (Compact Fluorescent Triple, Quad or Twin Tube)

Catalog Number **A7HF2**

| A7HF2 | Wattage | Ballast | Voltage | Options |
|-------|-----------------|---------|---------|---------|
| | 42W MAX. PLT●●● | E | 1 | EM |
| | 32W PLT●●● | H | 2 | F |
| | 26W DTT, PLT | DA | 3 | R |
| | 18W DTT, PLT | DL | 4 | PR |
| | 13"W TT, DTT | | | |

| | | | |
|-----------|----|-------------------------------------|--------------|
| Ballast | E | Electronic | (4 Pin Lamp) |
| | H | High Power Factor | (2 Pin Lamp) |
| | DA | Dimming - Advance Mark X | (4 Pin Lamp) |
| | DL | Dimming - Lutron | (4 Pin Lamp) |
| | * | 13 Watt Advance Mark VII Only | |
| Voltage | 1 | 120 Volts | |
| | 2 | 277 Volts | |
| | 3 | 347 Volts (Electronic Ballast only) | |
| | 4 | 208 Volts (Electronic Ballast only) | |
| Options ▲ | EM | Emergency Battery | |
| | F | Fused | |
| | R | Remodeler | |
| | PR | Plaster Ring | |

●●●1-Lamp only for 32W and 42W Triple Tube

1-Lamp – Replace A7HF2 with A7HF1

Electronic Multi-Tap Ballast 120V Thru 277V Factory Standard

Finishing Kit – 7" Horizontal Fluorescent Parabolic Cross Baffle

Catalog Number **7665**

| 7665 | Finish | Options |
|------|--------|---------|
| | SCL | PF |
| | SGO | |
| | WHT | |

Finish (Factory Standard)

| | |
|-----|--|
| SCL | Specular Clear "Alzak" with White Flange |
| SGO | Specular Gold "Alzak" with White Flange |
| WHT | White Reflector with White Flange |

Options ▲

| | |
|----|----------------------|
| PF | High Polished Flange |
|----|----------------------|

Consult Factory For Lens Options

Features

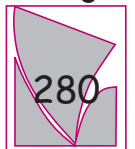
Manufactured and Listed to UL 1598, ETL and CSA standards.
Suitable for Damp Locations
Wet location under covered ceiling



▲ See Options and Finishes pages for a list of additional finishes and equipment.

Vantage reserves the right to change components, finishes or design details in any manner which does not alter the installed appearance or reduce performance and intended function.

Vantage



76 Community Avenue Plainfield, CT 06374
voice (860) 564.4512 fax (860) 564.4854
www.vantageitg.com

06/07

Luminaires