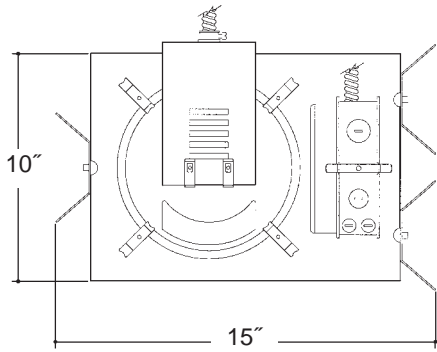


Job Name \_\_\_\_\_

Type \_\_\_\_\_



## 7" H.F. OPAL ACRYLIC DOME SHOWER LIGHT

Aluminum socket housing with zinc plated steel quick assembly hardware. *UL Listed* socket and electrical connectors.

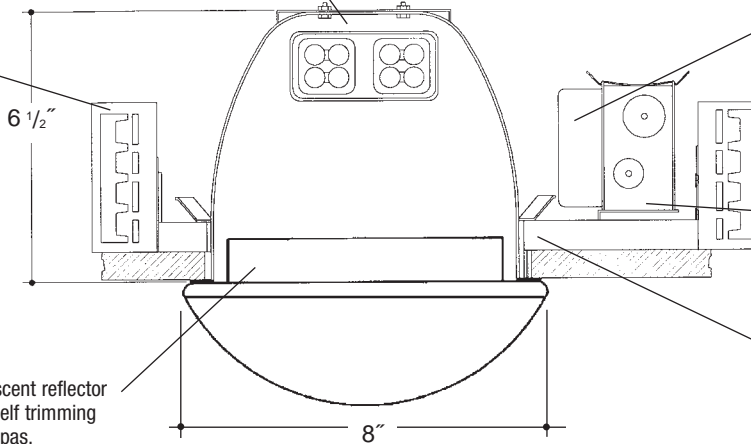
Electronic ballast, Class P, 50/60 HZ-120/277, Programmed Start, thermally protected, 98% Power Factor, 1.00 Ballast Factor, <10% THD, Class A sound rated.

Minimum starting temperature -18°C/0°F.

Magnetic ballast, High Power Factor, thermally protected, minimum starting temperature 10°C/50°F.

*UL Listed* component.

Adjustable height electrogalvanized plated steel mounting ears with cutouts for various mounting methods. Standard bars (included) are innovative and incorporate rigid formed cross sections, joist positioning tabs, integral nails, auxiliary nailholes, T-Bar slots and holes for locking bars to T-Bar using #8 self-tapping screws (by others). Bars extend 14"-24". Ears will also accept Caddy Bar #520 for fast installation in T-Bar ceilings, bars extend 27".



Heavy gauge electrogalvanized steel junction box, prewired and grounded with easy access from below, listed for through branch circuit wiring.

Electrogalvanized plated steel frame.

Heavy gauge spun aluminum low iridescent reflector with gasketed opal acrylic dome, and self trimming flange. Suitable for use in showers or spas.

### Rough in Kit – 7" Horizontal Fluorescent 2-Lamp (Compact Fluorescent Twin or Quad Tube)

Catalog Number **A7HF2**

**A7HF2**

Wattage

Ballast

Voltage

Options

42W MAX. PLT●●●  
32W PLT●●●  
26W DTT, PLT  
18W DTT, PLT  
13"W TT, DTT

E  
H  
DA  
DL

1  
2  
3  
4

EM  
F  
R  
PR

Ballast

**E** Electronic (4 Pin Lamp)  
**H** High Power Factor (2 Pin Lamp)  
**DA** Dimming - Advance Mark X (4 Pin Lamp)  
**DL** Dimming - Lutron (4 Pin Lamp)  
**\*** 13 Watt Advance Mark VII Only

Voltage

**1** 120 Volts  
**2** 277 Volts  
**3** 347 Volts (Electronic Ballast only)  
**4** 208 Volts (Electronic Ballast Only)

Options ▲

**EM** Emergency Battery  
**F** Fused  
**R** Remodeler  
**PR** Plaster Ring

●●●1-Lamp only for 32W and 42W Triple Tube

1-Lamp – Replace A7HF2 with A7HF1

Electronic Multi-Tap Ballast 120V Thru 277V Factory Standard

### Finishing Kit – 7" Horizontal Fluorescent Opal Acrylic Dome Shower Light Reflector – clear reflector standard with self trim flange

Catalog Number **7615**

**7615**

Options

Options ▲

#### Features

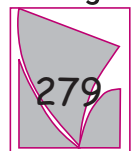
Manufactured and Listed to UL 1598, ETL and CSA standards.  
Suitable for Damp Locations  
Wet location under covered ceiling



▲ See Options and Finishes pages for a list of additional finishes and equipment.

Vantage reserves the right to change components, finishes or design details in any manner which does not alter the installed appearance or reduce performance and intended function.

Vantage



Luminaires

76 Community Avenue Plainfield, CT 06374  
voice (860)564.4512 fax (860)564.4854  
www.vantageitg.com

06/07