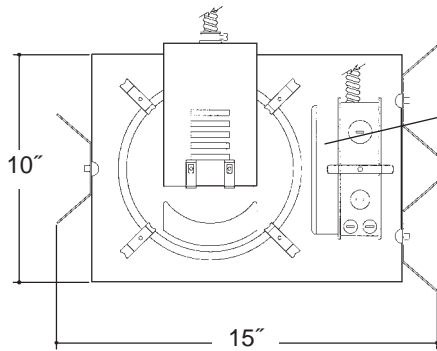


Architectural Grade

Job Name _____

Type _____

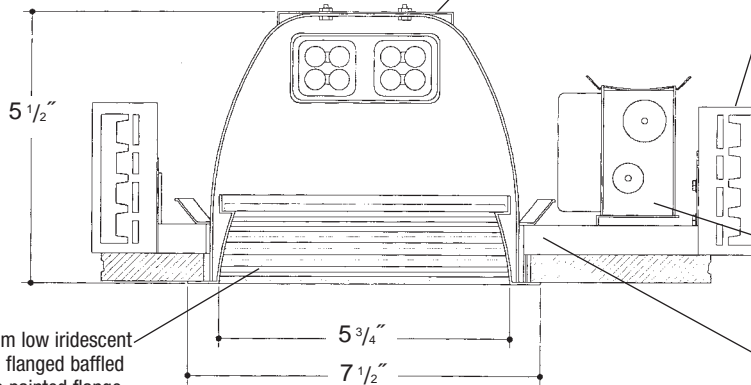


Electronic ballast, Class P, 50/60 HZ-120/277, Programmed Start, thermally protected, 98% Power Factor, 1.00 Ballast Factor, <10% THD, Class A sound rated. Minimum starting temperature -18°C/0°F. Magnetic ballast, High Power Factor, thermally protected, minimum starting temperature 10°C/50°F. *UL Listed* component.

6" H.F. LENSED BAFFLED

Aluminum socket housing with zinc plated steel quick assembly hardware. *UL Listed* socket and electrical connectors.

Adjustable height electrogalvanized plated steel mounting ears with cutouts for various mounting methods. Standard bars (included) are innovative and incorporate rigid formed cross sections, joist positioning tabs, integral nails, auxiliary nailholes, T-Bar slots and holes for locking bars to T-Bar using #8 self-tapping screws (by others). Bars extend 14"-24". Ears will also accept Caddy Bar #520 for fast installation in T-Bar ceilings, bars extend 27".



Heavy gauge spun aluminum low iridescent reflector with self trimming flanged baffled splay/lens holder and white painted flange. Safety chain provided.

Heavy gauge electrogalvanized steel junction box, prewired and grounded with easy access from below, listed for through branch circuit wiring.

Electrogalvanized plated steel frame.

Rough in Kit – 6" Horizontal Fluorescent 2-Lamp (Compact Fluorescent Twin or Quad Tube)

Catalog Number **A6HF2**

A6HF2

Wattage

26W MAX. DTT
18W DTT
13"W TT, DTT

Ballast

E
H
DA
DL

Voltage

1
2
3
4

Options

EM
F
R
PR

Ballast

E Electronic (4 Pin Lamp)
H High Power Factor (2 Pin Lamp)
DA Dimming - Advance Mark X (4 Pin Lamp)
DL Dimming - Lutron (4 Pin Lamp)
***** 13 Watt Advance Mark VII Only

Voltage

1 120 Volts
2 277 Volts
3 347 Volts (Electronic Ballast only)
4 208 Volts (Electronic Ballast Only)

Options ▲

EM Emergency Battery
F Fused
R Remodeler
PR Plaster Ring

1-Lamp - Replace **A6HF2** with **A6HF1**

Electronic Multi-Tap Ballast 120V Thru 277V Factory Standard

Finishing Kit – 6" Horizontal Fluorescent Lensed Baffled Reflector – clear reflector standard with White or Black Baffled Splay

Catalog Number **66**

66

Lens

6621 - Tempered Clear Lens
6624 - Tempered Prismatic Lens (C73 Pattern)
6626 - Fresnel Lens
6628 - Flat Alba Lens
6629 - Drop Opal Lens

Finish

SCL/BL
SCL/WH
WHT/WH
WHT/BL

Options

WL

Finish (Factory Standard)

SCL/BL Specular Clear "Alzak" with Black Baffled Splay
SCL/WH Specular Clear "Alzak" with White Baffled Splay
WHT/WH White Reflector with White Baffled Splay
WHT/BL White Reflector with Black Baffled Splay

Options ▲

WL Sealed Lens and Gasketed Flange

Features

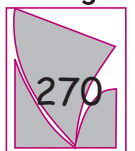
Manufactured and Listed to UL 1598, ETL and CSA standards. Suitable for Damp Locations Wet location under covered ceiling



▲ See Options and Finishes pages for a list of additional finishes and equipment.

Vantage reserves the right to change components, finishes or design details in any manner which does not alter the installed appearance or reduce performance and intended function.

Vantage



Luminaires

76 Community Avenue Plainfield, CT 06374
voice (860)564.4512 fax (860)564.4854
www.vantageitg.com

06/07