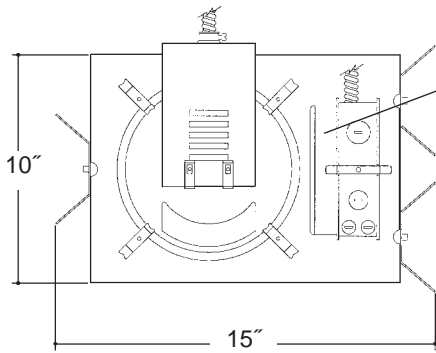


# Architectural Grade

Job Name \_\_\_\_\_

Type \_\_\_\_\_

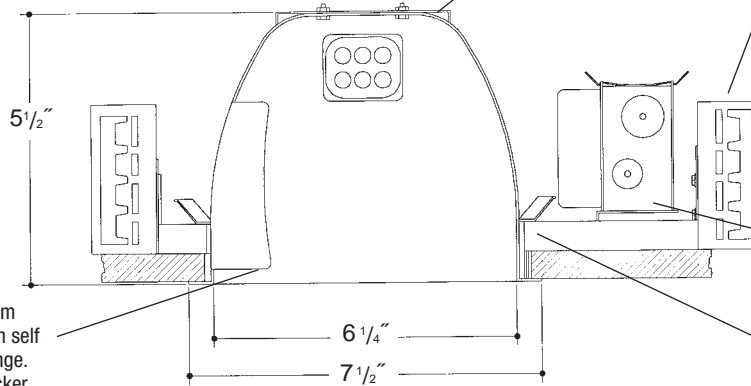


Electronic ballast, Class P, 50/60 HZ-120/277, Programmed Start, thermally protected, 98% Power Factor, 1.00 Ballast Factor, <10% THD, Class A sound rated. Minimum starting temperature -18°C/0°F. *UL Listed* component.

## 6" H.F. 1 LT OPEN WALL WASH TRIPLE TUBE

Aluminum socket housing with zinc plated steel quick assembly hardware. *UL Listed* socket and electrical connectors.

Adjustable height electrogalvanized plated steel mounting ears with cutouts for various mounting methods. Standard bars (included) are innovative and incorporate rigid formed cross sections, joist positioning tabs, integral nails, auxiliary nailholes, T-Bar slots and holes for locking bars to T-Bar using #8 self-tapping screws (by others). Bars extend 14"-24". Ears will also accept Caddy Bar #520 for fast installation in T-Bar ceilings, bars extend 27".



Heavy gauge spun aluminum low iridescent reflector with self trimming white painted flange. Aluminum wall washing kicker plate in a bright dip clear finish. Polished Flange available.

Heavy gauge electrogalvanized steel junction box, prewired and grounded with easy access from below, listed for through branch circuit wiring.

Electrogalvanized plated steel frame.

### Rough in Kit – 6" Horizontal Fluorescent 1-Lamp (Compact Fluorescent Triple Tube)

Catalog Number **A6HF1**

**A6HF1**

Wattage

Ballast

Voltage

Options

42W MAX. PLT  
32W PLT  
26W PLT  
18W PLT

E  
DA  
DL

1  
2  
3  
4

EM  
F  
R  
PR  
EMI

Ballast		
<b>E</b>	Electronic	(4 Pin Lamp)
<b>DA</b>	Dimming - Advance Mark X	(4 Pin Lamp)
<b>DL</b>	Dimming - Lutron	(4 Pin Lamp)
Voltage		
<b>1</b>	120 Volts	
<b>2</b>	277 Volts	
<b>3</b>	347 Volts (Electronic Ballast only)	
<b>4</b>	208 Volts (Electronic Ballast only)	
Options ▲		
<b>EM</b>	Emergency Battery	
<b>F</b>	Fused	
<b>R</b>	Remodeler	
<b>PR</b>	Plaster Ring	
<b>EMI</b>	Internal Mounted Emergency Test Switch	

Electronic Multi-Tap Ballast 120V Thru 277V Factory Standard

### Finishing Kit – 6" Horizontal Fluorescent Open Reflector Downlight Wall Washer

Catalog Number **6700**

**6700**

Finish

Options

SCL  
SGO

PF  
DWW  
CWW

Finish (Factory Standard)	
<b>SCL</b>	Specular Clear "Alzak" with White Flange
<b>SGO</b>	Specular Gold "Alzak" with White Flange
Options ▲	
<b>PF</b>	High Polished Flange
<b>DWW</b>	Double Wall Wash
<b>CWW</b>	Corner Wall Wash

### Features

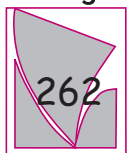
Manufactured and Listed to UL 1598, ETL and CSA standards. Suitable for Damp Locations. Wet location under covered ceiling



▲ See Options and Finishes pages for a list of additional finishes and equipment.

Vantage reserves the right to change components, finishes or design details in any manner which does not alter the installed appearance or reduce performance and intended function.

Vantage



Luminaires

76 Community Avenue Plainfield, CT 06374  
voice (860)564.4512 fax (860)564.4854  
www.vantageitg.com

06/07