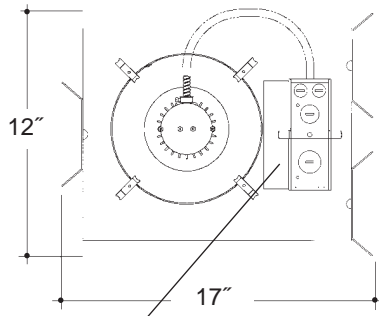


# Architectural Grade

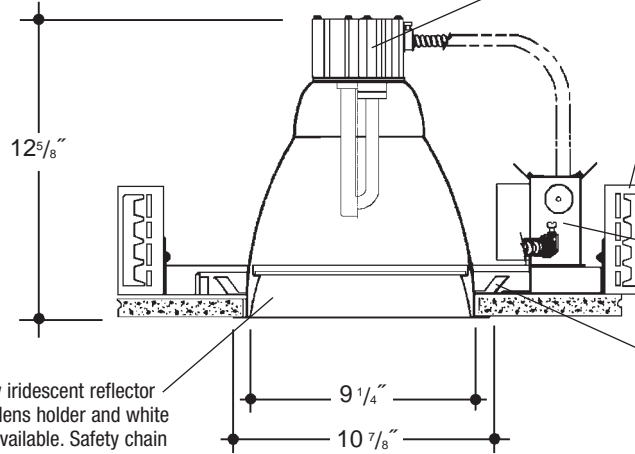
Job Name \_\_\_\_\_

Type \_\_\_\_\_



**10" V.F. 1 LT  
LENSED**

Electronic ballast, Class P, 50/60 HZ-120/277, Programmed Start, thermally protected, 98% Power Factor, 1.00 Ballast Factor, <10% THD, Class A sound rated. Minimum starting temperature -18°C/0°F.  
Magnetic ballast, High Power Factor, thermally protected, minimum starting temperature 10°C/50°F.  
*UL Listed component.*



Aluminum heat sink socket cup with Zinc plated steel hardware and spring steel clips for fast assembly. *UL Listed* socket.

Adjustable height electrogalvanized plated steel mounting ears with cutouts for various mounting methods. Standard bars (included) are innovative and incorporate rigid formed cross sections, joist positioning tabs, integral nails, auxiliary nailholes, T-Bar slots and holes for locking bars to T-Bar using #8 self-tapping screws (by others). Bars extend 14"-24". Ears will also accept Caddy Bar #520 for fast installation in T-Bar ceilings, bars extend 27".

Heavy gauge electrogalvanized steel junction box, prewired and grounded with easy access from below, listed for through branch circuit wiring.

Electrogalvanized plated steel frame.

Heavy gauge spun aluminum low iridescent reflector with self trimming flanged splay/lens holder and white painted flange. Polished Flange available. Safety chain provided.

## Rough in Kit – 10" Vertical Fluorescent 1-Lamp (Compact Fluorescent Triple or Quad Tube)

Catalog Number **A10VF1**

**A10VF1**

**Wattage**

**Ballast**

**Voltage**

**Options**

57W MAX. DT  
42W PLT  
32W PLT  
26W DTT, PLT  
18W DTT, PLT

E  
H  
DA  
DL

1  
2  
3  
4

EM  
F  
R  
PR

Ballast

**E** Electronic (4 Pin Lamp)  
**H** High Power Factor (2 Pin Lamp)  
**DA** Dimming - Advance Mark X (4 Pin Lamp)  
**DL** Dimming - Lutron (4 Pin Lamp)

Voltage

**1** 120 Volts  
**2** 277 Volts  
**3** 347 Volts (Electronic Ballast Only)  
**4** 208 Volts (Electronic Ballast Only)

Options ▲

**EM** Emergency Battery  
**F** Fused  
**R** Remodeler  
**PR** Plaster Ring

**2-Lamp Not Available in Triple Tube (DT, PLT)**

**2-Lamp – Replace A10VF1 with A10VF2**

Electronic Multi-Tap Ballast 120V Thru 277V Factory Standard

## Finishing Kit – 10" Vertical Fluorescent Lensed Reflector - clear reflector standard with self trim flange

Catalog Number **100**

**100**

**Lens**

**Finish**

**Options**

Finish (Factory Standard)

**SCL** Specular Clear "Alzak" Splay with White Flange  
**SGO** Specular Gold "Alzak" Splay with White Flange  
**WHT** White Splay with White Flange

10011 - Tempered Clear Lens  
10014 - Tempered Prismatic Lens (C73 Pattern)  
10016 - Fresnel Lens  
10019 - Drop Opal Lens

SCL  
SGO  
WHT

PF  
WL

Options ▲

**PF** High Polished Flange  
**WL** Sealed Lens and Gasketed Flange

### Features

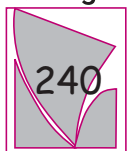
Manufactured and Listed to UL 1598, ETL and CSA standards.  
Suitable for Damp Locations  
Wet location under covered ceiling



▲ See Options and Finishes pages for a list of additional finishes and equipment.

Vantage reserves the right to change components, finishes or design details in any manner which does not alter the installed appearance or reduce performance and intended function.

Vantage



Luminaires

76 Community Avenue Plainfield, CT 06374  
voice (860)564.4512 fax (860)564.4854  
www.vantageltg.com

07/07