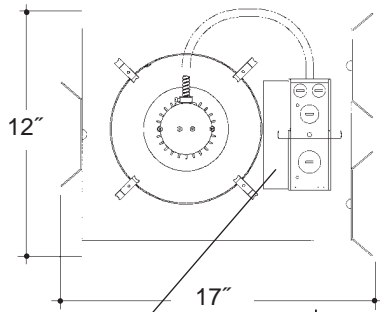


Architectural Grade

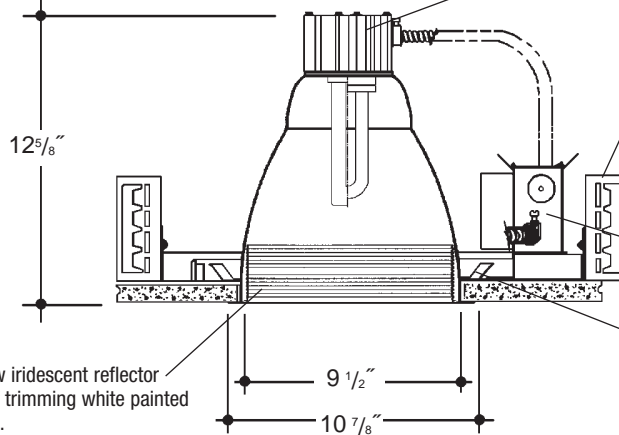
Job Name _____

Type _____



10" V.F. 1 LT OPEN BAFFLED

Electronic ballast, Class P, 50/60 HZ-120/277, Programmed Start, thermally protected, 98% Power Factor, 1.00 Ballast Factor, <10% THD, Class A sound rated. Minimum starting temperature -18°C/0°F.
Magnetic ballast, High Power Factor, thermally protected, minimum starting temperature 10°C/50°F.
UL Listed component.



Aluminum heat sink socket cup with Zinc plated steel hardware and spring steel clips for fast assembly. *UL Listed* socket.

Adjustable height electrogalvanized plated steel mounting ears with cutouts for various mounting methods. Standard bars (included) are innovative and incorporate rigid formed cross sections, joist positioning tabs, integral nails, auxiliary locking nailholes, T-Bar slots and holes for locking bars to T-Bar using #8 self-tapping screws (by others). Bars extend 14"-24". Ears will also accept Caddy Bar #520 for fast installation in T-Bar ceilings, bars extend 27".

Heavy gauge electrogalvanized steel junction box, prewired and grounded with easy access from below, listed for through branch circuit wiring.

Electrogalvanized plated steel frame.

Heavy gauge spun aluminum low iridescent reflector with multi-groove baffle and self trimming white painted flange. Polished Flange available.

Rough in Kit – 10" Vertical Fluorescent 1-Lamp (Compact Fluorescent Triple or Quad Tube)

Catalog Number **A10VF1**

A10VF1

Wattage

Ballast

Voltage

Options

70W MAX. DT
57W DT
42W PLT
32W PLT
26W DTT, PLT
18W DTT, PLT

E
H
DA
DL

1
2
3
4

EM
F
R
PR
EMI

Ballast

E Electronic (4 Pin Lamp)
H High Power Factor (2 Pin Lamp)
DA Dimming - Advance Mark X (4 Pin Lamp)
DL Dimming - Lutron (4 Pin Lamp)

Voltage

1 120 Volts
2 277 Volts
3 347 Volts (Electronic Ballast Only)
4 208 Volts (Electronic Ballast Only)

Options ▲

EM Emergency Battery
F Fused
R Remodeler
PR Plaster Ring
EMI Internal Mounted Emergency Test Switch

2-Lamp Not Available in Triple Tube (DT, PLT)

2-Lamp – Replace A10VF1 with A10VF2

Electronic Multi-Tap Ballast 120V Thru 277V Factory Standard

Finishing Kit – 10" Vertical Fluorescent Open Baffled Reflector

Catalog Number **10050**

10050

Finish

Options

SCL/BL
SGO/BL
SCL/WH
SGO/WH
WHT/WH
WHT/BL

PF

Finish (Factory Standard)

SCL/BL Specular Clear "Alzak" with White Flange and Black Baffle
SGO/BL Specular Gold "Alzak" with White Flange and Black Baffle
SCL/WH Specular Clear "Alzak" with White Flange and White Baffle
SGO/WH Specular Gold "Alzak" with White Flange and White Baffle
WHT/WH White Reflector with White Flange and White Baffle
WHT/BL White Reflector with White Flange and Black Baffle

Options ▲

PF High Polished Flange

Features

Manufactured and Listed to UL 1598, ETL and CSA standards.
Suitable for Damp Locations
Wet location under covered ceiling



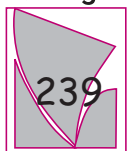
▲ See Options and Finishes pages for a list of additional finishes and equipment.

Vantage reserves the right to change components, finishes or design details in any manner which does not alter the installed appearance or reduce performance and intended function.

06/07

76 Community Avenue Plainfield, CT 06374
voice (860)564.4512 fax (860)564.4854
www.vantageltg.com

Vantage



Luminares