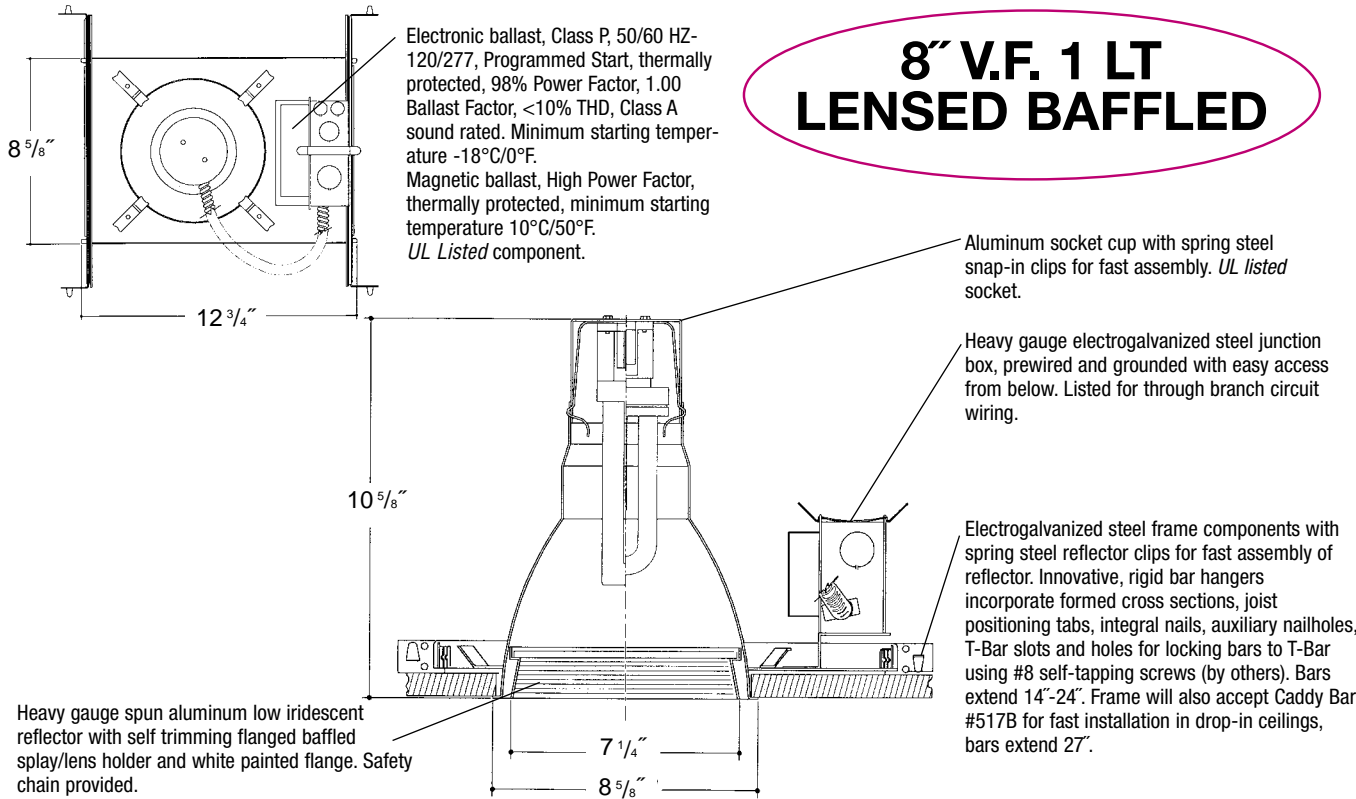


Job Name \_\_\_\_\_

Type \_\_\_\_\_



**8" V.F. 1 LT  
LENSED BAFFLED**

**Rough in Kit – 8" Vertical Fluorescent 1-Lamp (Compact Fluorescent Twin, Quad or Triple Tube)**

Catalog Number **8VF1** \_\_\_\_\_

8VF1	Wattage	Ballast	Voltage	Options
	42W MAX. PLT	E	1	EM
	32W PLT	H	2	F
	26W DTT, PLT	DA	3	R
	18W DTT PLT	DL	4	
	13"W TT, DTT			

Ballast		
E	Electronic	(4 Pin Lamp)
H	High Power Factor	(2 Pin Lamp)
DA	Dimming - Advance Mark X	(4 Pin Lamp)
DL	Dimming - Lutron	(4 Pin Lamp)
*	13W Advance Mark VII Only	
Voltage		
1	120 Volts	
2	277 Volts	
3	347 Volts (Electronic Ballast only)	
4	208 Volts (Electronic Ballast Only)	
Options ▲		
EM	Emergency Battery	
F	Fused	
R	Remodeler	

**2-Lamp Not Available in Triple Tube**  
**2-Lamp – Replace 8VF1 with 8VF2**  
 Electronic Multi-Tap Ballast 120V Thru 277V Factory Standard

**Finishing Kit – 8" Vertical Fluorescent Lensed Reflector – clear reflector standard with Black or White Baffled Splay and self trim flange**

Catalog Number **82** \_\_\_\_\_

82	Lens	Finish	Options
	8221 - Tempered Clear Lens	SCL/BL	WL
	8224 - Tempered Prismatic Lens (C73 Pattern)	SCL/WH	
	8226 - Fresnel Lens	WHT/WH	
		WHT/BL	

Finish (Factory Standard)	
<b>SCL/BL</b>	Specular Clear "Alzak" with Black Baffled Splay
<b>SCL/WH</b>	Specular Clear "Alzak" with White Baffled Splay
<b>WHT/WH</b>	White Reflector with White Baffled Splay
<b>WHT/BL</b>	White Reflector with Black Baffled Splay
Options ▲	
<b>WL</b>	Sealed Lens and Gasketed Flange

**Features**

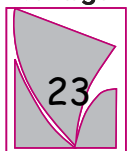
Manufactured and Listed to UL 1598, ETL and CSA standards.  
 Suitable for Damp Locations  
 Wet location under covered ceiling



▲ See Options and Finishes pages for a list of additional finishes and equipment.

Vantage reserves the right to change components, finishes or design details in any manner which does not alter the installed appearance or reduce performance and intended function.

**Vantage**



**Luminaires**