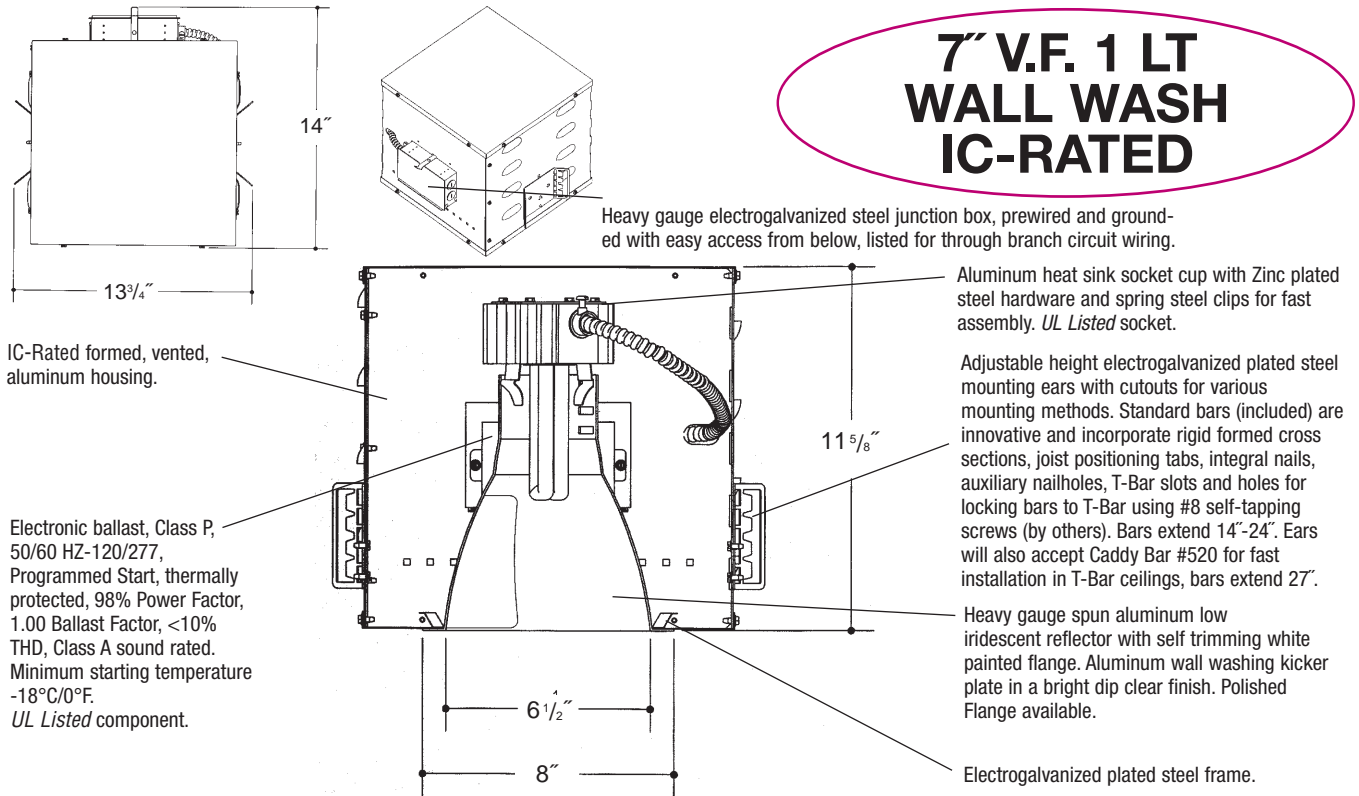


Job Name \_\_\_\_\_

Type \_\_\_\_\_



### Rough in Kit – 7" Vertical Fluorescent 1-Lamp IC-Rated (Compact Fluorescent Twin, Quad or Triple Tube)

Catalog Number **AIC7VF1**

AIC7VF1	Wattage	Ballast	Voltage	Options
	42W MAX. PLT	E	1	F
	32W PLT	DA	2	PR
	26W DTT, PLT		3	EMI
	18W DTT, PLT		4	
	13*W TT, DTT			

Ballast		
E	Electronic	(4 Pin Lamp)
DA	Dimming - Advance Mark X	(4 Pin Lamp)
*	13W Advance Mark VII	Only
Voltage		
1	120 Volts	
2	277 Volts	
3	347 Volts (Electronic Ballast Only)	
4	208 Volts (Electronic Ballast Only)	
Options ▲		
F	Fused	
PR	Plaster Ring	
EMI	Internal Mounted Emergency Test Switch	

**2-Lamp Not Available in Triple Tube**

**2-Lamp – Replace AIC7VF1 with AIC7VF2**

Electronic Multi-Tap Ballast 120V Thru 277V Factory Standard

### Finishing Kit – 7" Vertical Fluorescent Open Reflector<sup>##</sup>

Catalog Number **7102**

7102	Finish	Options
	SCL	PF
	SGO	DWW
		CWW

Finish (Factory Standard)

SCL	Specular Clear "Alzak" with White Flange
SGO	Specular Gold "Alzak" with White Flange

Options ▲

PF	High Polished Flange
DWW	Double Wall Washer
CWW	Corner Wall Washer

<sup>##</sup> Consult Factory for Lensed Reflectors \_\_\_\_\_

#### Features

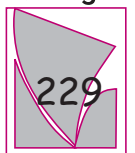
Manufactured and Listed to UL 1598, ETL and CSA standards.  
Suitable for Damp Locations  
Wet location under covered ceiling



▲ See Options and Finishes pages for a list of additional finishes and equipment.

Vantage reserves the right to change components, finishes or design details in any manner which does not alter the installed appearance or reduce performance and intended function.

**Vantage**



**Luminaires**

76 Community Avenue Plainfield, CT 06374  
voice (860)564.4512 fax (860)564.4854  
www.vantageitg.com

06/07