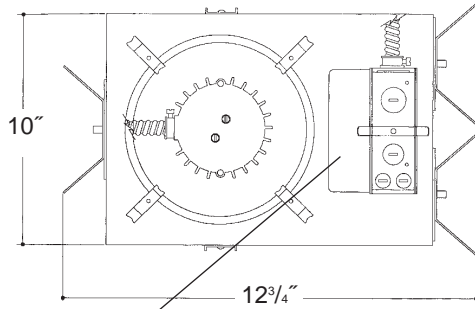


Architectural Grade

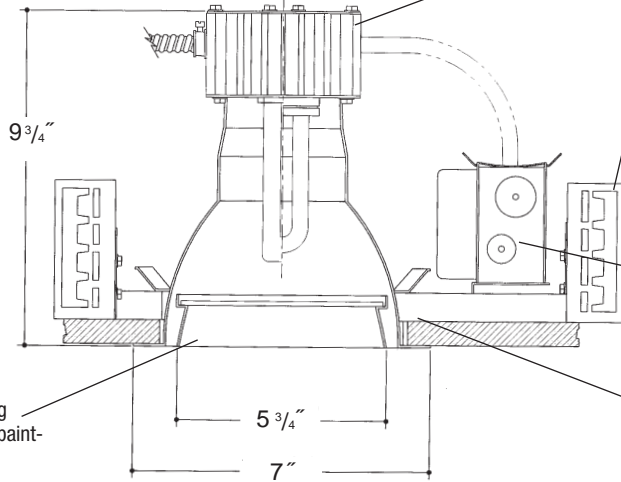
Job Name _____

Type _____



**6" V.F. 1 LT
LENSED**

Electronic ballast, Class P, 50/60 HZ-120/277, Programmed Start, thermally protected, 98% Power Factor, 1.00 Ballast Factor, <10% THD, Class A sound rated. Minimum starting temperature -18°C/0°F. Magnetic ballast, High Power Factor, thermally protected, minimum starting temperature 10°C/50°F. *UL Listed component.*



Aluminum heat sink socket cup with Zinc plated steel hardware and spring steel clips for fast assembly. *UL Listed* socket.

Adjustable height electrogalvanized plated steel mounting ears with cutouts for various mounting methods. Standard bars (included) are innovative and incorporate rigid formed cross sections, joist positioning tabs, integral nails, auxiliary nailholes, T-Bar slots and holes for locking bars to T-Bar using #8 self-tapping screws (by others). Bars extend 14"-24". Ears will also accept Caddy Bar #520 for fast installation in T-Bar ceilings, bars extend 27".

Heavy gauge electrogalvanized steel junction box, prewired and grounded with easy access from below, listed for through branch circuit wiring.

Heavy gauge spun aluminum low iridescent reflector with self trimming flanged splay/lens holder and white painted flange. Polished Flange available. Safety chain provided.

Electrogalvanized plated steel frame.

Rough in Kit – 6" Vertical Fluorescent 1-Lamp (Compact Fluorescent Quad or Triple Tube)

Catalog Number **A6VF1**

A6VF1	Wattage	Ballast	Voltage	Options
	18W MAX. DTT, PLT 13"W DTT	E H DA DL	1 2 3 4	EM F R PR

Ballast	
E	Electronic (4 Pin Lamp)
H	High Power Factor (2 Pin Lamp)
DA	Dimming - Advance Mark X (4 Pin Lamp)
DL	Dimming - Lutron (4 Pin Lamp)
*	13W Advance Mark VII Only
Voltage	
1	120 Volts
2	277 Volts
3	347 Volts (Electronic Ballast Only)
4	208 Volts (Electronic Ballast Only)
Options ▲	
EM	Emergency Battery
F	Fused
R	Remodeler
PR	Plaster Ring

2-Lamp Not Available in Triple Tube

2-Lamp – Replace A6VF1 with A6VF2

Electronic Multi-Tap Ballast 120V Thru 277V Factory Standard

Finishing Kit – 6" Vertical Fluorescent Lensed Reflector - clear reflector standard with self trim flange

Catalog Number **62**

62	Lens	Finish	Options
	6211 - Tempered Clear Lens 6214 - Tempered Prismatic Lens (C73 Pattern) 6216 - Fresnel Lens 6218 - Flat Alba Lens	SCL SGO WHT	PF WL

Finish (Factory Standard)

SCL	Specular Clear "Alzak" Splay with White Flange
SGO	Specular Gold "Alzak" Splay with White Flange
WHT	White Splay with White Flange

Options ▲

PF	High Polished Flange
WL	Sealed Lens and Gasketed Flange

Features

Manufactured and Listed to UL 1598, ETL and CSA standards. Suitable for Damp Locations Wet location under covered ceiling



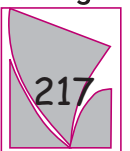
▲ See Options and Finishes pages for a list of additional finishes and equipment.

Vantage reserves the right to change components, finishes or design details in any manner which does not alter the installed appearance or reduce performance and intended function.

06/07

76 Community Avenue Plainfield, CT 06374
voice (860)564.4512 fax (860)564.4854
www.vantageltg.com

Vantage



Luminaires