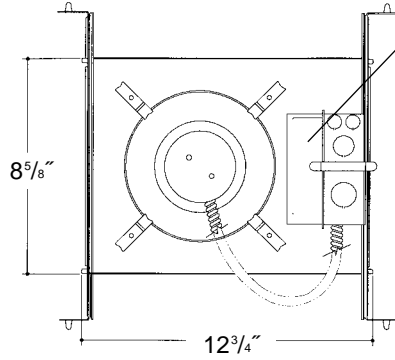


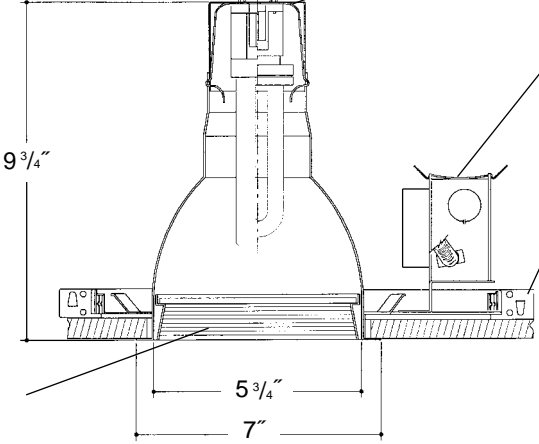
Job Name \_\_\_\_\_

Type \_\_\_\_\_



Electronic ballast, Class P, 50/60 HZ-120/277, Programmed Start, thermally protected, 98% Power Factor, 1.00 Ballast Factor, <10% THD, Class A sound rated. Minimum starting temperature -18°C/0°F.  
Magnetic ballast, High Power Factor, thermally protected, minimum starting temperature 10°C/50°F.  
*UL Listed component.*

**6" V.F. 1 LT  
LENSED BAFFLED**



Heavy gauge spun aluminum low iridescent reflector with self trimming flanged baffled splay/lens holder and white painted flange. Safety chain provided.

Aluminum socket cup with spring steel snap-in clips for fast assembly. *UL Listed* socket.

Heavy gauge electrogalvanized steel junction box, prewired and grounded with easy access from below. Listed for through branch circuit wiring.

Electrogalvanized steel frame components with spring steel reflector clips for fast assembly of reflector. Innovative, rigid bar hangers incorporate formed cross sections, joint positioning tabs, integral nails, auxiliary nailholes, T-Bar slots and holes for locking bars to T-Bar using #8 self-tapping screws (by others). Bars extend 14"-24". Frame will also accept Caddy Bar #517B for fast installation in drop-in ceilings, bars extend 27".

**Rough in Kit – 6" Vertical Fluorescent 1-Lamp (Compact Fluorescent Quad or Triple Tube)**

Catalog Number **6VF1** \_\_\_\_\_

6VF1	Wattage	Ballast	Voltage	Options
	18W MAX. DTT PLT 13*W DTT	E H DA DL	1 2 3 4	EM F R

Ballast	E	Electronic	(4 Pin Lamp)
	H	High Power Factor	(2 Pin Lamp)
	DA	Dimming - Advance Mark X	(4 Pin Lamp)
	DL	Dimming - Lutron	(4 Pin Lamp)
	*	13W Advance Mark VII Only	
Voltage	1	120 Volts	
	2	277 Volts	
	3	347 Volts (Electronic Ballast Only)	
	4	208 Volts (Electronic Ballast Only)	
Options ▲	EM	Emergency Battery	
	F	Fused	
	R	Remodeler	

**2-Lamp Not Available in Triple Tube**

**2-Lamp – Replace 6VF1 with 6VF2**

Electronic Multi-Tap Ballast 120V Thru 277V Factory Standard

**Finishing Kit – 6" Vertical Fluorescent Lensed Reflector – clear reflector standard with Black or White Baffled Splay and self trim flange**

Catalog Number **62** \_\_\_\_\_

62	Lens	Finish	Options
	6221 - Tempered Clear Lens 6224 - Tempered Prismatic Lens (C73 Pattern) 6226 - Fresnel Lens 6228 - Flat Alba Lens	SCL/BL SCL/WH WHT/WH WHT/BL	WL

Finish (Factory Standard)

<b>SCL/BL</b>	Specular Clear "Alzak" with Black Baffled Splay
<b>SCL/WH</b>	Specular Clear "Alzak" with White Baffled Splay
<b>WHT/WH</b>	White Reflector with White Baffled Splay
<b>WHT/BL</b>	White Reflector with Black Baffled Splay
<b>WHT/BL</b>	White Reflector with Black Baffled Splay

Options ▲

<b>WL</b>	Sealed Lens and Gasketed Flange
-----------	---------------------------------

**Features**

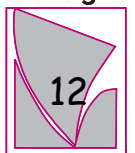
Manufactured and Listed to UL 1598, ETL and CSA standards.  
*Suitable for Damp Locations*  
*Wet location under covered ceiling*



▲ See Options and Finishes pages for a list of additional finishes and equipment.

Vantage reserves the right to change components, finishes or design details in any manner which does not alter the installed appearance or reduce performance and intended function.

**Vantage**



**Luminaires**