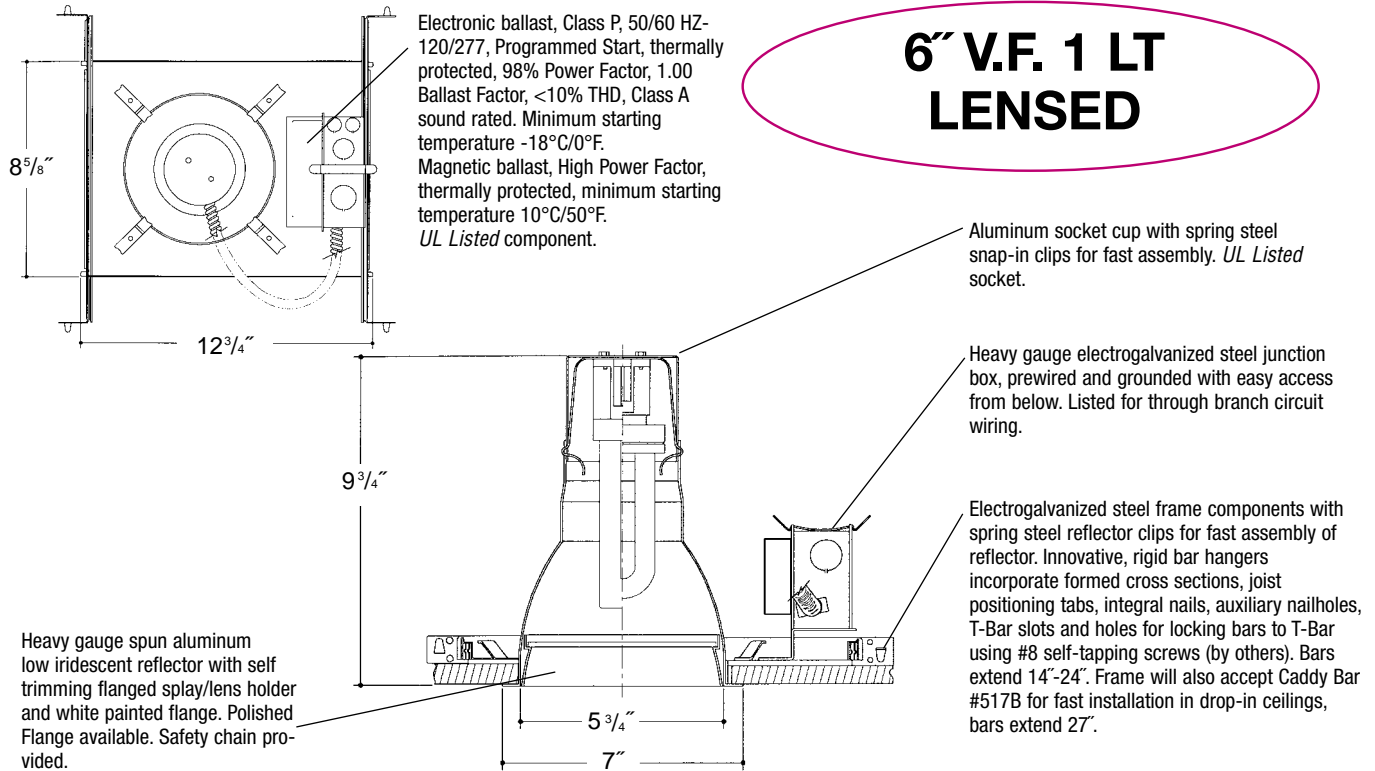


Job Name _____

Type _____



**6" V.F. 1 LT
LENSED**

Rough in Kit – 6" Vertical Fluorescent 1-Lamp (Compact Fluorescent Quad or Triple Tube)

Catalog Number **6VF1** _____

6VF1	Wattage	Ballast	Voltage	Options
	18W MAX. DTT PLT 13"W DTT	E H DA DL	1 2 3 4	EM F R

Ballast	E Electronic (4 Pin Lamp)
	H High Power Factor (2 Pin Lamp)
	DA Dimming - Advance Mark X (4 Pin Lamp)
	DL Dimming - Lutron (4 Pin Lamp)
	* 13W Advance Mark VII Only
Voltage	1 120 Volts
	2 277 Volts
	3 347 Volts (Electronic Ballast Only)
	4 208 Volts (Electronic Ballast Only)
Options ▲	EM Emergency Battery
	F Fused
	R Remodeler

2-Lamp Not Available in Triple Tube
2-Lamp – Replace 6VF1 with 6VF2
 Electronic Multi-Tap Ballast 120V Thru 277V Factory Standard

Finishing Kit – 6" Vertical Fluorescent Lensed Reflector – clear reflector standard with self trim flange

Catalog Number **62** _____

62	Lens	Finish	Options
	6211 - Tempered Clear Lens 6214 - Tempered Prismatic Lens (C73 Pattern) 6216 - Fresnel Lens 6218 - Flat Alba Lens	SCL SGO WHT	PF WL

Finish (Factory Standard)	
SCL	Specular Clear "Alzak" Splay with White Flange
SGO	Specular Gold "Alzak" Splay with White Flange
WHT	White Splay with White Flange
Options ▲	PF High Polished Flange
	WL Sealed Lens and Gasketed Flange

Features

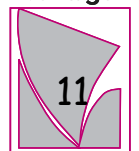
Manufactured and Listed to UL 1598, ETL and CSA standards.
 Suitable for Damp Locations
 Wet location under covered ceiling



▲ See Options and Finishes pages for a list of additional finishes and equipment.

Vantage reserves the right to change components, finishes or design details in any manner which does not alter the installed appearance or reduce performance and intended function.

Vantage



Luminaires

76 Community Avenue Plainfield, CT 06374
 voice (860)564.4512 fax (860)564.4854
 www.vantageitg.com

06/07