

Job Name _____

Type _____

4" LOW VOLTAGE OPEN

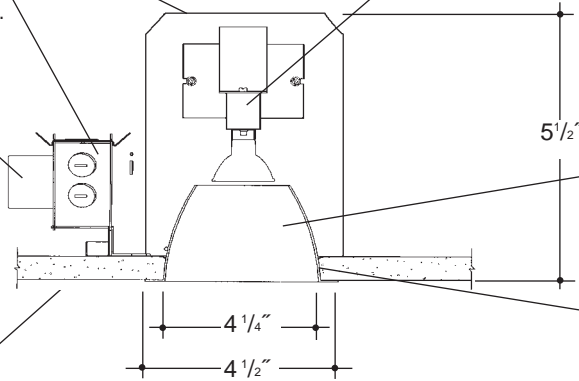
Electrogalvanized heavy gauge steel housing with integral vents for maximum heat dissipation. Spring steel reflector clips for fast assembly of reflector. Housing interior powdercoated white.

UL Listed socket with 450°C high temperature leads. Lamp holder designed to accept several different types of lens accessories, clear tempered lens standard. (See Options)

Heavy gauge electrogalvanized steel junction box, prewired and grounded with easy access from below. Listed for through branch circuit wiring.

Magnetic transformer, 75VA 120V or 277V primary. 12V secondary. Electronic transformer available. Removable from below. UL Listed component.

Standard bars (included) are innovative and incorporate rigid formed cross sections, joist positioning tabs, integral nails, auxiliary nail-holes, T-Bar slots and holes for locking bars to T-Bar using #8 self-tapping screws (by others). Bars extend 14"-24". Ears will also accept Caddy Bar #520 for fast installation in T-Bar ceilings, bars extend 27".



Heavy gauge spun aluminum reflector with self trimming white painted flange. Polished Flange available.

Integral Plaster Ring.

Rough in Kit – 4" Low Voltage (75W MR16; 50W MR16)

Catalog number **W44LV** _____

W44LV	Wattage	Transformer	Voltage	Options
	75W MAX. MR16	H	1	F
	50W MR16	E SD	2	IC REM

Transformer	
H	Magnetic (Standard)
E	Electronic
SD	Step Down
Voltage	
1	120 Volts
2	277 Volts
Options ▲	
F	Fused
IC	IC Rated
REM	Remodeler

Finishing Kit – 4" Low Voltage Open Reflector

Catalog Number _____

	Finish	Options	Lamp Lens Options
W4100			
W4400SL	SCL	PF	S18
W4120WH	SGO		I532
W4410PH	WHT		LS
W44500WH	BR/NI		
W44500BL			

Finish (Factory Standard)

SCL	Specular Clear "Alzak" with White Flange
SGO	Specular Gold "Alzak" with White Flange
WHT	White Reflector with White Flange
BR/NI	Brushed Nickel

Options ▲

PF High Polished Flange

Lamp Lens Options

S18	Solite Softening Lens
I532	Industrix Diffusing Lens
LS	Linear Spread Lens

Features

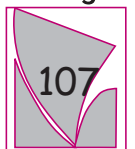
Manufactured and Listed to UL 1598, ETL and CSA standards.
Suitable for Damp Locations
Wet location under covered ceiling



▲ See Options and Finishes pages for a list of additional finishes and equipment.

Vantage reserves the right to change components, finishes or design details in any manner which does not alter the installed appearance or reduce performance and intended function.

Vantage



Luminaires

76 Community Avenue Plainfield, CT 06374
voice (860)564.4512 fax (860)564.4854
www.vantageltg.com

05/07