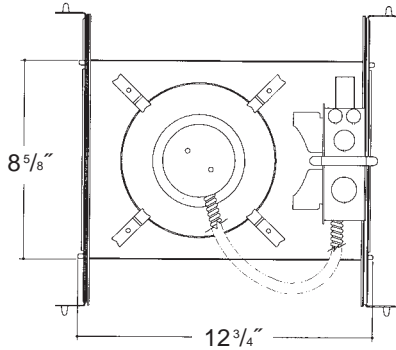


C o m m e r c i a l G r a d e

Job Name _____

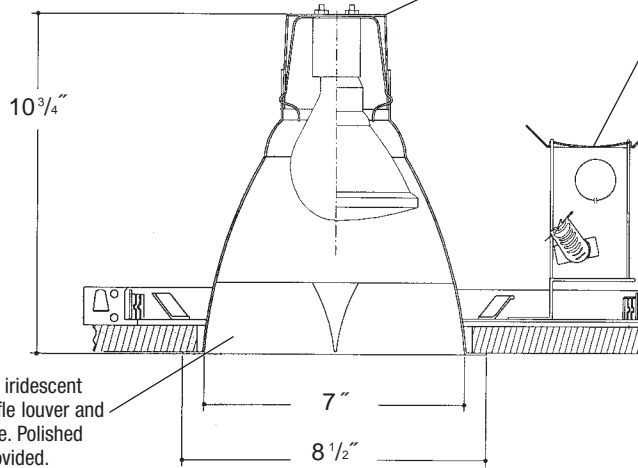
Type _____



8" CROSS BAFFLE INCANDESCENT

Aluminum socket cup with spring steel snap-in clips for fast assembly. *UL Listed* medium base porcelain socket, with nickel plated brass screw shell.

Heavy gauge electrogalvanized steel junction box, prewired and grounded with easy access from below. Listed for through branch circuit wiring. Thermal cutout provided.



Electrogalvanized steel frame components with spring steel reflector clips for fast assembly of reflector. Innovative, rigid bar hangers incorporate formed cross sections, joint positioning tabs, integral nails, auxiliary nailholes, T-Bar slots and holes for locking bars to T-Bar using #8 self-tapping screws (by others). Bars extend 14"-24". Frame will also accept Caddy Bar #517B for fast installation in drop-in ceilings, bars extend 27".

Heavy gauge spun aluminum low iridescent reflector with parabolic cross baffle louver and self trimming white painted flange. Polished Flange available. Safety chain provided.

Rough in Kit – 8" Incandescent (150W A21; 150W PAR38; 100W A19)

Catalog Number **8INC** _____

8INC

Wattage

Options

150W MAX. A21
150W PAR38
100W A19

277V SD
R

Options ▲

277V SD
R

Step Down Transformer 277V to 120V Remodeler

Finishing Kit – 8" Incandescent Parabolic Cross Baffle Louver

Catalog Number **8035** _____

8035

Finish

Options

SCL
SGO
WHT

PF

Finish (Factory Standard)

SCL

Specular Clear "Alzak" with White Flange

SGO

Specular Gold "Alzak" with White Flange

WHT

White Reflector with White Flange

Options ▲

PF

High Polished Flange

Consult Factory For Lens Options

Features

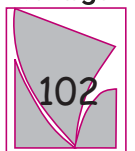
Manufactured and Listed to UL 1598, ETL and CSA standards.
Suitable for Damp Locations
Wet location under covered ceiling



▲ See Options and Finishes pages for a list of additional finishes and equipment.

Vantage reserves the right to change components, finishes or design details in any manner which does not alter the installed appearance or reduce performance and intended function.

Vantage



06/07

76 Community Avenue Plainfield, CT 06374
voice (860)564.4512 fax (860)564.4854
www.vantageltg.com

Luminaires