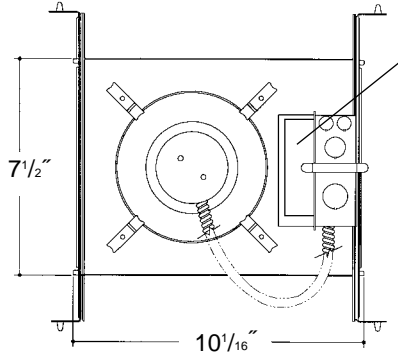


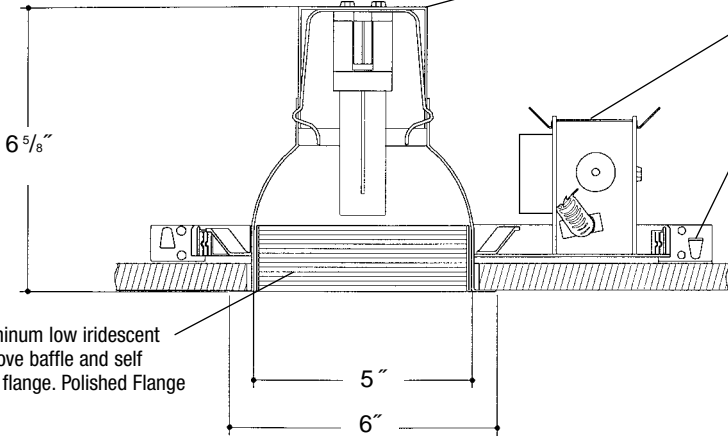
Job Name \_\_\_\_\_

Type \_\_\_\_\_



Electronic ballast, Class P, 50/60 HZ-120/277, Programmed Start, thermally protected, 98% Power Factor, 1.00 Ballast Factor, <10% THD, Class A sound rated. Minimum starting temperature -18°C/0°F.  
Magnetic ballast, High Power Factor, thermally protected, minimum starting temperature 10°C/50°F.  
*UL Listed component.*

**5" V.F. 1 LT  
OPEN BAFFLED**



Heavy gauge spun aluminum low iridescent reflector with multi-groove baffle and self trimming white painted flange. Polished Flange available.

Aluminum socket cup with spring steel snap-in clips for fast assembly. *UL Listed* socket.

Heavy gauge electrogalvanized steel junction box, prewired and grounded with easy access from below. Listed for through branch circuit wiring.

Electrogalvanized steel frame components with spring steel reflector clips for fast assembly of reflector. Innovative, rigid bar hangers incorporate formed cross sections, joist positioning tabs, integral nails, auxiliary nailholes, T-Bar slots and holes for locking bars to T-Bar using #8 self-tapping screws (by others). Bars extend 14'-24". Frame will also accept Caddy Bar #517B for fast installation in drop-in ceilings, bars extend 27".

**Rough in Kit – 5" Vertical Fluorescent 1-Lamp (Compact Fluorescent Quad Tube)**

Catalog Number **5VF1** \_\_\_\_\_

<b>5VF1</b>	Wattage	Ballast	Voltage	Options
	13W MAX. DTT	E H DA7	1 2 3 4	EM F R EMI

- Ballast
- E** Electronic (4 Pin Lamp)
  - H** High Power Factor (2 Pin Lamp)
  - DA7** Dimming - Advance Mark VII (4 Pin Lamp)
- Voltage
- 1** 120 Volts
  - 2** 277 Volts
  - 3** 347 Volts (Electronic Ballast Only)
  - 4** 208 Volts (Electronic Ballast Only)
- Options ▲
- EM** Emergency Battery
  - F** Fused
  - R** Remodeler
  - EMI** Internal Mounted Emergency Test Switch

**2-Lamp – Replace 5VF1 with 5VF2**

Electronic Multi-Tap Ballast 120V Thru 277V Factory Standard

**Finishing Kit – 5" Vertical Fluorescent Open Baffled Reflector**

Catalog Number **5350** \_\_\_\_\_

<b>5350</b>	Finish	Options
	SCL/BL SGO/BL SCL/WH SGO/WH WHT/WH WHT/BL	PF

- Finish (Factory Standard)
- SCL/BL** Specular Clear "Alzak" with White Flange and Black Baffle
  - SGO/BL** Specular Gold "Alzak" with White Flange and Black Baffle
  - SCL/WH** Specular Clear "Alzak" with White Flange and White Baffle
  - SGO/WH** Specular Gold "Alzak" with White Flange and White Baffle
  - WHT/WH** White Reflector with White Flange and White Baffle
  - WHT/BL** White Reflector with White Flange and Black Baffle

- Options ▲
- PF** High Polished Flange

**Features**

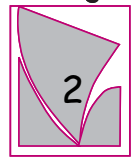
Manufactured and Listed to UL 1598, ETL and CSA standards.  
*Suitable for Damp Locations*  
*Wet location under covered ceiling*



▲ See Options and Finishes pages for a list of additional finishes and equipment.

Vantage reserves the right to change components, finishes or design details in any manner which does not alter the installed appearance or reduce performance and intended function.

**Vantage**



**Luminaires**

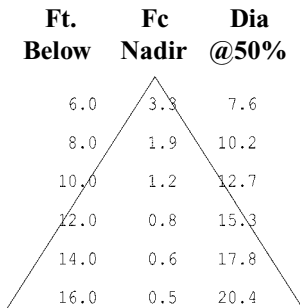
# Photometric Information

**Product Number:** 5VF113E/5350SCL/BL  
**Frame In Kit:** 5" Vertical Mount Quad Tube Fluorescent  
**Reflector:** 5" Vertical Shallow Clear "Alzak" with Black Baffle  
**LTL Test Number:** 06661  
**Lamp(s) Source:** (1) 13W 4 Pin Lamp Rated at 900 lumens  
**Total Luminaire Efficiency:** 26.4%  
**CIE Type:** Direct  
**Luminaire Spacing Criterion:** 1.3/1.3  
**Luminous Diameter:** 4.875

### Zonal Lumen Summary

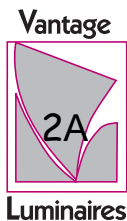
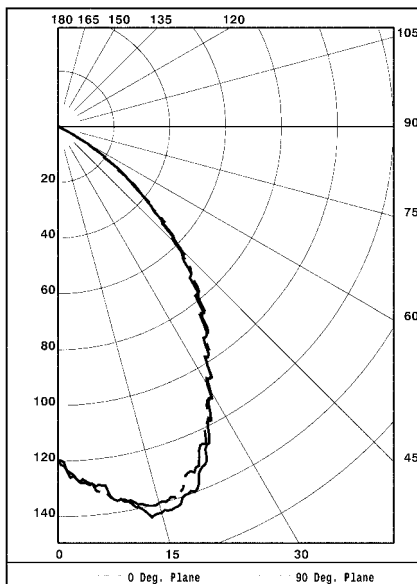
ZONE	LUMENS	%LAMP	%FIXTURE
0- 30	108	12.0	45.6
0- 40	166	18.5	70.1
0- 60	234	26.1	98.8
0- 90	237	26.4	100.0
90-180	0	0.0	0.0
0-180	237	26.4	100.0

### Cone of Light



### Coefficients of Utilization

RC	80			70			50			30			10			0		
RW	70	50	30	10	70	50	30	10	50	30	10	50	30	10	50	30	10	0
0	31	31	31	31	31	31	31	31	29	29	29	28	28	28	27	27	27	26
1	30	29	28	28	29	28	28	27	27	26	26	26	26	26	25	25	25	24
2	28	27	25	24	27	26	25	24	25	24	24	24	24	23	24	23	23	22
3	26	24	23	22	26	24	23	22	23	22	21	23	22	21	22	21	21	20
4	25	22	21	19	24	22	20	19	21	20	19	21	20	19	20	19	19	18
5	23	20	19	17	23	20	18	17	20	18	17	19	18	17	19	18	17	16
6	22	19	17	16	21	19	17	15	18	17	15	18	16	15	17	16	15	15
7	20	17	15	14	20	17	15	14	17	15	14	16	15	14	16	15	14	13
8	19	16	14	12	18	15	14	12	15	13	12	15	13	12	15	13	12	12
9	17	14	12	11	17	14	12	11	14	12	11	13	12	11	13	12	11	10
10	16	13	11	10	16	13	11	10	13	11	10	12	11	10	12	11	10	9

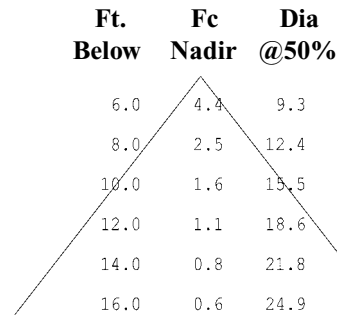


**Product Number:** 5VF213E/5350SCL/BL  
**Frame In Kit:** 5" Vertical Mount Quad Tube Fluorescent  
**Reflector:** 5" Vertical Shallow Clear "Alzak" with Black Baffle  
**LTL Test Number:** 06657  
**Lamp(s) Source:** (2) 13W 4 Pin Lamps Rated at 900 lumens ea.  
**Total Luminaire Efficiency:** 23.6%  
**CIE Type:** Direct  
**Luminaire Spacing Criterion:** 1.6/1.5  
**Luminous Diameter:** 4.875

### Zonal Lumen Summary

ZONE	LUMENS	%LAMP	%FIXTURE
0- 30	179	9.9	42.0
0- 40	290	16.1	68.1
0- 60	418	23.2	98.2
0- 90	425	23.6	100.0
90-180	0	0.0	0.0
0-180	425	23.6	100.0

### Cone of Light



### Coefficients of Utilization

RC	80			70			50			30			10			0		
RW	70	50	30	10	70	50	30	10	50	30	10	50	30	10	50	30	10	0
0	28	28	28	28	28	28	28	28	26	26	26	25	25	25	24	24	24	24
1	27	26	25	25	26	25	25	24	24	24	23	23	23	23	23	22	22	22
2	25	24	23	22	24	23	22	21	23	22	21	22	21	22	21	21	20	20
3	23	22	20	19	23	21	20	19	21	20	19	20	19	18	20	19	18	18
4	22	20	18	17	21	19	18	17	19	18	17	18	17	16	18	17	16	16
5	20	18	16	15	20	18	16	15	17	16	15	17	16	15	16	15	15	14
6	19	16	15	13	19	16	15	13	16	14	13	15	14	13	15	14	13	13
7	18	15	13	12	17	15	13	12	14	13	12	14	13	12	14	13	12	11
8	16	13	12	11	16	13	12	11	13	12	10	13	11	10	13	11	10	10
9	15	12	10	9	15	12	10	9	12	10	9	12	10	9	11	10	9	9
10	14	11	9	8	14	11	9	8	11	9	8	11	9	8	10	9	8	8

